

14S and 16S Series

Little Giant 14S and 16S series submersible pumps are recommended for use in basins or lift stations and suitable for sewage wastewater transfer, and dewatering. These pumps have 2 inches (50.8 mm) spherical solids handling capability. For single phase models use with approved liquid level control with correct rating that matches marked motor input in full load amperes or service factor amperes. For three phase pumps use with approved motor control that matches motor input in full load amperes with overload element(s) selected or adjusted in accordance with control instructions.

This product is covered by a Limited Warranty for a period of 3 years from the date of original purchase by the consumer. For complete warranty information, refer to www.LittleGiant.com.



Specifications

Model	Discharge in (mm)	HP	Volts	Hz	Amps	Watts	Phase	PSI	Shut Off ft (m)	
14S	2 (51)	1/2	115	60	11.6	1100	1	10.8	25 (7.6)	
	3 (76.2)				4.6					
	2 (51)		208-240		11	2000				
	3 (76.2)					1900				
16S	3 (76.2)	1	200-208		50/60	6.3	1500	3	15.1	35 (10.7)
			230			6.8	800			
			200-208			3	850			
			380							
			460							

SAFETY INSTRUCTIONS

This equipment should be installed and serviced by technically qualified personnel who are familiar with the correct selection and use of appropriate tools, equipment, and procedures. Failure to comply with national and local electrical and plumbing codes and within Little Giant recommendations may result in electrical shock or fire hazard, unsatisfactory performance, or equipment failure.

Know the product's application, limitations, and potential hazards. Read and follow instructions carefully to avoid injury and property damage. Do not disassemble or repair unit unless described in this manual.

Refer to product data plate(s) for additional precautions, operating instructions, and specifications.

Failure to follow installation or operation procedures and all applicable codes may result in the following hazards:

⚠ DANGER



Risk of death, personal injury, or property damage due to explosion, fire, or electric shock.

- Do not use to pump flammable, combustible, or explosive fluids such as gasoline, fuel oil, kerosene, etc.
- Do not use in explosive atmospheres or hazardous locations as classified by the NEC, ANSI/NFPA70.
- Do not handle a pump or pump motor with wet hands or when standing on a wet or damp surface, or in water.
- When a pump is in its application, do not touch the motor, pipes, or water until the unit is unplugged or electrically disconnected.
- If the power disconnect is out of sight, lock it in the open position and tag it to prevent unexpected application of power.
- If the disconnect panel is not accessible, contact the electric company to stop service.

⚠ WARNING



High voltages capable of causing severe injury or death by electrical shock are present in this unit.

- To reduce risk of electrical shock, disconnect power before working on or around the system. More than one disconnect switch may be required to de-energize the equipment before servicing.
- Some pumps are supplied with a grounding conductor and grounding-type attachment plug. To reduce risk of electric shock, be certain that it is connected only to a properly grounded grounding-type receptacle. Do not remove the third prong from the plug. The third prong is to ground the pump to help prevent possible electric shock hazard. Do not use an extension cord.
- Some pumps are supplied without a plug and are intended to be hardwired using a junction box or other approved enclosure. These pumps include a grounding conductor. To reduce risk of electric shock, be certain that is properly connected to ground according to code. The Flexible jacketed cord assembly mounted to the pump must not be modified in any way, with the exception of shortening the cord to fit in a control panel. Any splice between the pump and the control must be made within a junction box and comply with the National Electrical Code.
- Check electrical outlets with a circuit analyzer to ensure power, neutral, and ground wires are properly connected. If not, a qualified, licensed electrician should correct the problem.
- Wire pump system for correct voltages.
- Employ a licensed electrician.
- Be sure the electrical connection cannot be reached by rising water. Under no circumstances should the junction box be located where it may become flooded or submerged by water.
- Do not use the power cord for lifting the pump.
- Check local electrical and building codes before installation. The installation must be made in accordance with their regulations as well as the most recent National electrical Code (NEC) and the Occupational Safety and Health Act (OSHA).

CAUTION



Risk of bodily injury, electric shock, or equipment damage.

- Operation of this equipment requires detailed installation and operation instructions provided in this manual. Read entire manual before starting installation and operation. End User should receive and retain manual for future use.
- This equipment must not be used by children or persons with reduced physical, sensory or mental abilities, or lacking in experience and expertise, unless supervised or instructed. Children may not use the equipment, nor may they play with the unit or in the immediate vicinity.
- Equipment can start automatically. Always unplug the pump power cord and disconnect the electrical power before servicing the pump or switch.
- An inoperative or malfunctioning pump could lead to flooding, resulting in personal injury or property damage. Use with approved liquid level control with correct rating that matches marked motor input in full load amperes or service factor amperes.
- In applications where property damage and/or personal injury might result from an inoperative or leaking pump due to power outages, discharge line blockage, or any other reason, an automatic back-up system and/or an alarm should be installed.
- Do not run the pump dry. If run dry, the surface temperature of the pump will rise to a high temperature that could cause skin burns if touched and will cause serious damage to your pump.
- Do not oil the motor. The pump's motor housing is sealed, with a high-grade dielectric oil for heat transfer and lifetime lubrication. Use of other oils could cause serious electric shock and/or permanent damage to the pump.
- Keep safety labels clean and in good condition.
- Do not use motor in swimming areas or marine applications.
- Manual, continuous pump operation should be used only for emergencies, or when a large volume of water is to be pumped. The pump must be continuously monitored during operation and disconnected from power before the pump runs dry.
- The pump has been evaluated for use with water only. Pump should only be used with liquids compatible with pump component materials. If the pump is used with liquids incompatible with the pump components, the liquid can cause failure to the electrical insulation system resulting in electrical shock.

NOTICE

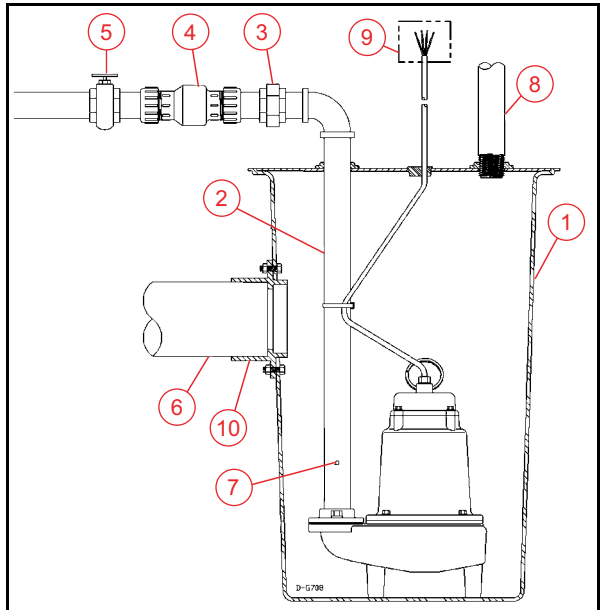
Risk of damage to pump or other equipment.

- Do not use this pump for pumping sea water, beverages, acids, chemical solutions, or any other liquid that promotes corrosion as this can result in damage to the pump.
- Do not run pump dry. For optimal cooling and to prolong the motor life, the liquid level being pumped should normally be above the top of the pump housing.
- This pump is not suitable for pond applications.

INSTALLATION

Typical Installation

- 1 Gas Tight Basin
- 2 Discharge
- 3 Union
- 4 Check Valve
- 5 Gate Valve
- 6 Intake
- 7 Air Bleed Hole
- 8 Vent
- 9 See "[Electrical Connections](#)" on [page 5](#).
- 10 Caulking Hub



Physical Installation

NOTICE

Risk of damage to pump or other equipment.

- Support pump and piping when assembling and when installed. Failure to do so may cause piping to break, pump to fail, motor bearing failures, etc.
- If the relief hole in the discharge pipe is not provided, the pump could “air lock” and will not pump water even though it will run.
- A missing, improperly installed, or malfunctioning check valve can cause a pump to short-cycle due to back-flow of the pumped fluid from the discharge plumbing back into the basin, significantly shortening the life of the pump.

1. Install the pump in the center of a suitable gas tight basin that is at least 18 inches (45.72 cm) in diameter and 30 inches (76.2 cm) deep and vented in accordance with local plumbing codes.
 - Ensure sump is clean and free of nails, gravel, string, cloth, or other debris before installing.
 - Provide adequate room for future servicing, protection from freezing temperatures, flooding, and equipment drainage.
 - Never place the pump directly on clay, earth, or gravel surfaces.

IMPORTANT: Do not attempt to restrict the intake side of the pump.

2. Connect discharge piping, using pipe joint compound at all threaded connections.
 - The discharge pipe should be as short as possible and contain as few elbows as possible.
 - Do not use piping smaller than the pump discharge.
 - Use ABS, PVC, polyethylene, stainless steel, or galvanized steel pipe.
 - Use pipe joint compound or PTFE tape at all threaded connections.
 - For rail systems, use proper adapters to connect nonmetal pipe. Refer to the instructions supplied with the system.
3. Install a union in the discharge line just above the basin cover.
4. Install a full flow check valve in the discharge line that will easily pass $\frac{3}{4}$ inch (1.91 cm) solids.
 - Install the check valve in a horizontal position or at an angle of no more than 45°.
5. Install a gate valve in the discharge line.
6. Tape the pump cords to the discharge piping with electrical tape.
7. Add an air relief bleed hole $\frac{1}{8}$ or $\frac{3}{16}$ inch (0.32 or 0.48 cm) in diameter in the discharge pipe.
 - Drill this hole at a 45° angle below the horizontal plane and away from the pump.
8. Install a separate sump vent.

NOTE: A connection is provided on top of the sump or cover which must be piped to the existing building vent or extended outside with its own standpipe.

9. Connect the pump to an appropriate power supply. Refer to [“Electrical Connections” on page 5](#).
10. Confirm that the pump is functioning as intended.
11. Place cover over basin.

Electrical Connections

⚠ WARNING



Risk of severe injury or death by electrical shock.

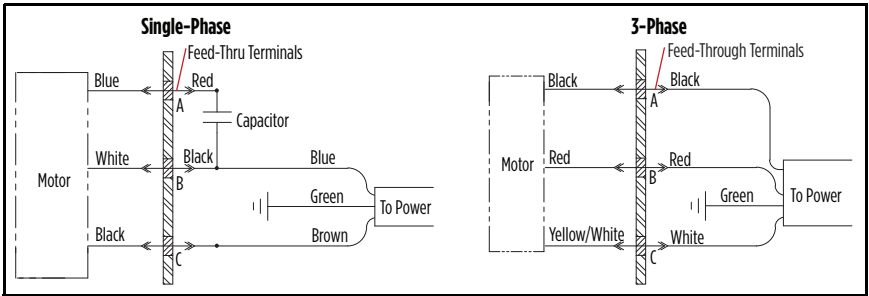
- Always disconnect the electrical power before touching the pump, discharge or electrical plug when water is present in the area.
- Be certain that this pump is connected to a circuit equipped with a ground fault circuit interrupter (GFCI) device if required by code.

IMPORTANT: If the power cord is damaged, the whole unit must be replaced

1. Connect the power cord to a constant source of power matching the pump nameplate voltage.
 - Connect the pump to its own circuit, with no other electric receptacles or equipment in the circuit.
 - Do not connect to a voltage other than that shown.
 - Ensure that the fuses or circuit breaker are of ample capacity in the electrical circuit.

NOTE: Do not connect to a fan or any device that runs intermittently.

2. Install a thermal or overload protection control.



Impeller Rotation

NOTE: These instructions apply to only 3-phase pumps.

1. Ensure the circuit breakers are in the "OFF" position.
2. Lay pump on the side to observe the direction of rotation through the intake.
3. Turn circuit breakers to the "ON" position.
4. Make sure the impeller is rotating counter-clockwise.
5. To change the rotation, interchange any two of the white, red, or black wires of the pump at the disconnect box.

MAINTENANCE

⚠ WARNING



Risk of severe injury or death by electrical shock, high temperatures, or pressurized fluids.

- Always unplug the pump power cord in addition to removing the fuse or shutting off the circuit breaker before working on the pump or switch.
- Let pump cool for a minimum of 2 hours before attempting to service. Submersible pumps contain oil that becomes pressurized and hot under normal operating conditions.

NOTICE

Risk of damage to pump or other equipment.

- This unit is permanently lubricated. Oiling is not required. Do not open the sealed portion of the unit or remove housing screws.
- Do not remove the motor housing cover, impeller, socket head cap screws, or seals. Warranty is void if the motor housing cover, impeller, or seals have been removed. Repairs on the motor or impeller require special tools.

Periodic Service

Inspect and test the pump system condition and operation every three months—more frequently in heavy use applications.

1. Check the power cords and electrical outlet for damage or corrosion.

IMPORTANT: The unit must be replaced if the power cord is damaged.

2. Remove all debris (gravel, sand, floating debris, etc.) from the basin.
3. Check the pump system components (basin, pump, etc.) for any build-up (sludge, sediment, minerals, etc.) that would inhibit functionality of the components.
 - If significant, remove build-up or replace affected components.
4. Confirm all flexible coupling hose clamps are fully tightened.

Cleaning Impeller and Volute

1. Disconnect power to the pump.
2. Remove the four bolts that hold the volute to the motor housing.
3. Separate the volute from the motor housing.

IMPORTANT: Do not remove the motor housing bolts or screws.

4. Clean the impeller and the volute passage.

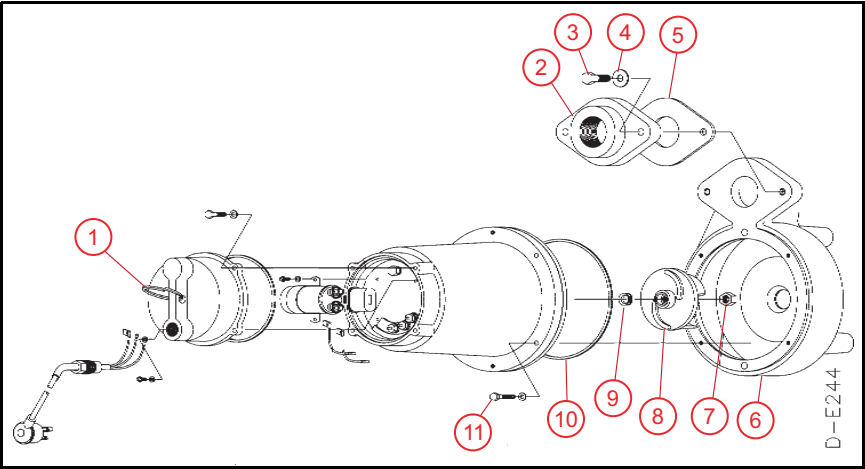
IMPORTANT: Do not use strong solvents on the impeller.

5. Be sure the impeller turns freely.
6. Reattach the volute to the motor housing, securing it with the bolts.

Troubleshooting

Problem	Probable Causes	Corrective Action
Pump does not turn on	Pump not plugged in	Plug in pump.
	Circuit breaker off or fuse removed	Turn on circuit breaker or replace fuse.
	Accumulation of trash on float	Clean float.
	Float obstruction	Check float path and provide clearance.
	Defective switch	Replace switch.
Pump will not shut off	Defective motor	Replace pump.
	Float or float rod obstruction	Check float and float rod path and provide clearance.
	Pump is air locked	Remove pump and clean air bleed hole.
	Liquid inflow matches pump capacity	Larger pump required.
Pump runs but does not discharge liquid	Defective switch	Replace switch.
	Check valve installed backwards	Check flow indicating arrow on check valve body to ensure proper installation.
	Check valve stuck or plugged	Remove check valve and inspect for proper operation.
	Lift too high for pump	Check rated pump performance.
	Inlet to impeller plugged	Pull pump and clean.
Pump does not deliver rated capacity	Pump is air locked	Remove pump and clean air bleed hole.
	Lift too high for pump	Check rated pump performance.
	Rotation incorrect (three-phase only)	Switch any two of the line wires.
	Low voltage, speed too slow	Check that supply voltage matches the nameplate rating.
Pump cycles continuously	Impeller or discharge pipe is clogged	Pull pump and clean. Check pipe for scale or corrosion.
	Impeller wear due to abrasives	Replace pump.
	No check valve in long discharge pipe allowing liquid to drain back into basin	Install a check valve in discharge line.
Water sprays out of a hole in the discharge pipe.	Check valve leaking	Inspect check valve for correct operation.
	Basin too small for inflow	Install larger basin.
	There should be a bleed hole in the discharge pipe that allows trapped air to escape from the pump, preventing air lock Water spraying out of this hole is completely normal	No corrective action is required.

Replacement Parts



Item	Description	Part Number
1	Wire Handle	114100
2	Disc, Flange 3" FNPT (only for models 514420, 514620, 514625, 514630)	114009
	Disc, Flange 2" FNPT (only for model 514320)	114004
3	Screw, 7/16 - 14 X 1-1/4	903722
4	Lock washer, 7/16	921104
5	Flange Gasket	114101
6	Volute, 14S/16S	114042
7	Jam Nut, 1/2" x 20	920004
8	Impeller 14S	114044
	Impeller 16S (only for models 514620, 514625, 514630)	114013
9	V-Seal, Nitrile	926016
10	Seal Ring, 7.484 I.D.	928033
11	Screw, 5/16-18 x 1-1/4"	903724



For technical assistance, parts, or repair, please contact:

800.701.7894 | littlegiant.com

1000001131 Rev. 001 05/23

LittleGIANT®

Franklin Electric Co., Inc. | Oklahoma City, OK 73157-2010

Copyright © 2023, Franklin Electric Co., Inc. All rights reserved.

SERIE 14S Y 16S

Se recomienda utilizar las bombas sumergibles de las series Little Giant 14S y 16S para estanques o plantas de bombeo y son adecuadas para la transferencia de aguas residuales y drenaje. Estas bombas tienen capacidad de manejo de sólidos esféricos de 2 pulg (50.8 mm). Para modelos monofásico motores, utilícelas con control de nivel de líquido aprobado con la clasificación correcta que coincida con la entrada marcada del motor en amperes a plena carga o amperes del factor de servicio. Para bombas trifásicas, utilícelo con un control de motor aprobado que coincida la entrada del motor en amperios de carga completa con los elementos de sobrecarga seleccionados o ajustados de acuerdo con las instrucciones de control.

Este producto está cubierto por una garantía limitada por un período de 3 años desde la fecha original de compra por parte del consumidor. Para obtener información completa sobre la garantía, visite www.LittleGiant.com.



Especificaciones

Modelo	Descarga mm (po)	HP	Voltios	HZ	Amperios	Vatios	Fase	PSI	Apagado m (pi)
14S	2 (51)	1/2	115	60	11.6	1100	1	10.8	25 (7.6)
	3 (76.2)								
	2 (51)		208-240		4.6				
	3 (76.2)								
16S	3 (76.2)	1	200-208		11	2000	3	15.1	35 (10.7)
			230			1900			
			200-208		6.3	1500			
			380		6.8	800			
			460	50/60	3	850			

INSTRUCCIONES SOBRE SEGURIDAD

La instalación y el mantenimiento de este equipo deben estar a cargo de personal con capacitación técnica que esté familiarizado con la correcta elección y uso de las herramientas, equipos y procedimientos adecuados. El hecho de no cumplir con los códigos eléctricos y de plomería nacionales y locales y con las recomendaciones de Little Giant puede provocar peligros de descarga eléctrica o incendio, desempeños insatisfactorios o fallas del equipo.

Lea y siga las instrucciones cuidadosamente para evitar lesiones y daños a los bienes. No desarme ni repare la unidad salvo que esté descrito en este manual.

Consulte las placas de características del producto para obtener instrucciones de operación, precauciones y especificaciones adicionales.

El hecho de no seguir los procedimientos de instalación o funcionamiento y todos los códigos aplicables puede ocasionar los siguientes peligros:

⚠ PELIGRO



Riesgo de muerte, lesiones personales o daños materiales por explosión, incendio o descarga eléctrica.

- No usar para bombear líquidos inflamables, combustibles o explosivos como gasolina, fueloil, kerosene, etc.
- No usar en atmósferas explosivas ni lugares peligrosos según la clasificación de la NEC, ANSI/NFPA70.
- No manipule la bomba ni el motor de la bomba con las manos mojadas o parado sobre una superficie mojada o húmeda o en agua.
- Cuando haya una bomba en su aplicación, no toque el motor, las tuberías ni el agua sino hasta haber desenchufado o eléctricamente desconectado la unidad.
- Si la desconexión de alimentación está fuera del sitio, bloquéela en la posición abierta y etiquétela para evitar una conexión inesperada de la alimentación.
- Si no se tuviera acceso al panel de desconexión, comuníquese con la compañía eléctrica para interrumpir el servicio.

⚠ ADVERTENCIA



Esta unidad tiene voltajes elevados que son capaces de provocar lesiones graves o muerte por descarga eléctrica.

- Para reducir el riesgo de descarga eléctrica, desconecte la energía antes de trabajar en el sistema o cerca de él. Es posible que sea necesario más de un interruptor de desconexión para cortar la energía del equipo antes de realizarle un mantenimiento.
- Algunas bombas vienen con un conector de puesta a tierra y un enchufe de seguridad de tipo de conexión a tierra. Para reducir el riesgo de descarga eléctrica, asegúrese de que esté conectado únicamente a un receptáculo de tipo de conexión a tierra conectado a tierra como corresponde. No quite la tercera clavija del enchufe. La tercera clavija sirve para conectar la bomba a tierra, lo que ayuda a evitar posibles peligros de descarga eléctrica. No use un cable de extensión.
- Algunas bombas se suministran sin enchufe y están diseñadas para ser cableadas utilizando una caja de conexiones u otra carcasa aprobada. Las bombas incluyen un conector de puesta a tierra. Para reducir el riesgo de choque eléctrica, asegúrese de que esté conectado a tierra correctamente, según el código. El conjunto de cordón eléctrico recubierto flexible montado en la bomba no se debe modificar de manera alguna, salvo para acortar el cordón eléctrico para adecuarlo al interior del tablero de control. Todos los empalmes entre la bomba y el tablero de control deben realizarse dentro de una caja de empalmes y deben cumplir con el reglamento electrotécnico nacional.
- Revise los tomacorrientes con un analizador de circuito para garantizar que los cables de alimentación, neutro y a tierra estén conectados correctamente. De lo contrario, un electricista calificado y autorizado deberá rectificar el problema.
- Cablee el sistema de bombeo para los voltajes correctos.
- Emplee un electricista autorizado.
- Esta bomba solo ha sido evaluada para usar con agua. La bomba solo se debe usar con líquidos compatibles con los materiales componentes de la bomba. Si la bomba se usa con líquidos incompatibles con sus componentes, el líquido puede causar fallos en el sistema de aislamiento eléctrico y producir un choque eléctrico.
- Asegúrese de que el nivel de agua no pueda alcanzar la conexión eléctrica. La caja de empalmes no debe ubicarse bajo ninguna circunstancia en un lugar que pueda inundarse o quedar sumergido.
- No use el cable eléctrico para levantar la bomba.
- Compruebe los códigos eléctricos y de construcción locales antes de la instalación. La instalación y la ventilación deben estar de acuerdo con sus regulaciones, así como el National Electrical Code (NEC) más reciente y la ley de Seguridad y Salud Ocupacionales (OSHA).

PRECAUCIÓN



Riesgo de lesiones corporales, descargas eléctricas o daños al equipo.

- La operación de este equipo exige instrucciones detalladas para su instalación y operación que se encuentran en este manual para su uso con este producto. Lea la totalidad del manual antes de comenzar la instalación y la operación. El usuario final debe recibir y conservar el manual para usos futuros.
- Este equipo no deben usarlo niños ni personas con capacidades físicas, sensoriales o mentales reducidas, ni aquellos que carezcan de experiencia y capacitación, salvo que estén bajo supervisión o instrucción. Los niños no podrán usar el equipo ni jugar con la unidad o en las cercanías inmediatas.
- El equipo puede encenderse en forma automática. Siempre desenchufe el cable eléctrico de la bomba y desconecte la alimentación eléctrica antes de realizar el mantenimiento de la bomba o del interruptor.
- Una bomba que no funciona o funciona mal podría provocar una inundación y provocar lesiones personales o daños materiales. Use con control de nivel de líquido aprobado con la clasificación correcta que coincida con la entrada marcada del motor en amperios de carga completa o amperes de factor de servicio.
- En aplicaciones donde una bomba no operativa o con fugas podría producir daños materiales o lesiones personales debido a interrupciones en el suministro eléctrico, obstrucciones en la línea de descarga u otros motivos, se debe instalar un sistema de respaldo automático y/o una alarma.
- No haga funcionar vacía la bomba. Si la hace funcionar vacía, la temperatura de la superficie de la bomba aumentará al punto que podría provocar quemaduras si se la toca y le causará serios daños a su bomba.
- No aplique aceite a el motor. Esta unidad es permanentemente lubricada. El engrase no es requerido. El alojamiento de motor de la bomba es sellado. No abra la porción sellada de la unidad o quite tornillos de alojamiento. La apertura del alojamiento de motor podría causar la sacudida eléctrica seria y/o el daño permanente a la bomba.
- Mantenga las etiquetas de seguridad limpias y en buenas condiciones.
- No use el motor en zonas de natación o aplicaciones marítimas.
- La operación manual y continua de la bomba se debe utilizar solo en caso de emergencia o cuando haya que bombear un gran volumen de agua. La bomba se debe monitorear permanentemente durante la operación y se debe desconectar de la alimentación antes de que funcione en vacío

AVISO

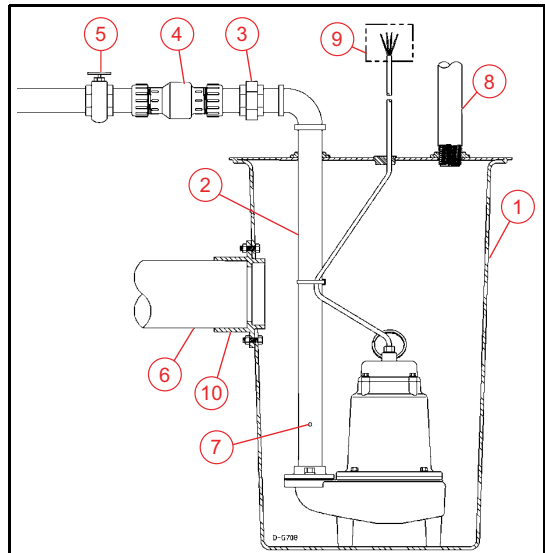
Riesgo de daños a bomba u otros equipos.

- No use esta bomba para bombear agua de mar, bebidas, ácidos, soluciones químicas u otros líquidos que provoquen corrosión, ya que eso puede dañar la bomba.
- No haga funcionar vacía la bomba. Para una refrigeración óptima y prolongar la vida útil del motor, el nivel de líquido que se bombea debería estar comúnmente por encima de la parte superior de la carcasa de la bomba.
- Esta bomba no es apta para aplicaciones en estanques.

INSTALACIÓN

Instalación típica

- 1 Depósito impermeable a los gases
- 2 Descarga
- 3 Unión
- 4 Válvula de chequeo
- 5 Válvula de compuerta
- 6 Toma
- 7 Orificio de purga de aire
- 8 Ventilación
- 9 Consulte "[Conexiones eléctricas](#)" en la página 13.
- 10 Cubo de calafateo



Instalación física

AVISO

Riesgo de daños materiales por inundaciones.

- Sostenga la bomba y la tubería durante el ensamblaje y cuando estén instaladas. Si esto no se realiza, la tubería se puede romper, la bomba puede tener fallas, los cojinetes del motor pueden tener fallas, etc.
- A menos que se proporcione el orificio de alivio en la tubería de descarga, la bomba podría “bloquear el aire” y no bombeará agua, aunque sí funcionará.
- Una válvula de retención faltante, mal instalada o que funcione mal puede provocar que la bomba realice ciclos cortos debido al reflujo del fluido bombeado desde la tubería de descarga hacia la cuenca, lo que acortará significativamente la vida útil de la bomba.

1. Instale la bomba en una cuenca adecuada y hermética al gas que tenga al menos 18 pulgadas (45.72 cm) de diámetro y 30 pulgadas (76.2 cm) de profundidad.
 - Asegúrese que la letrina esté limpia y sin clavos, grava, hilos, telas, ropas, desperdicios, etc. antes de instalarla.
 - Proporcione espacio adecuado para el mantenimiento futuro, protección contra temperaturas de congelación e inundaciones y drenaje de equipos.
 - Nunca coloque la bomba directamente sobre arcilla, tierra o superficies de grava.

IMPORTANTE: No intente restringir el lateral de acceso de estas bombas.

2. Conecte la tubería de descarga. Use compuesto para juntas de tuberías en todas las conexiones.
 - La tubería de descarga debe ser lo más corta posible y contener la menor cantidad de codos posible.
 - La tubería debe tener el mismo diámetro que el tamaño de descarga.
 - Utilice tubos de ABS, PVC, polietileno, acero inoxidable o acero galvanizado.
 - Para sistemas de rieles, use adaptadores adecuados para conectar tuberías no metálicas. Consulte las instrucciones suministradas con el sistema.
3. Instale una unión en la línea de descarga, justo por encima de la cubierta del recipiente.
4. Instale una válvula de retención de flujo libre en la línea de descarga que pase fácilmente sólidos de $\frac{3}{4}$ pulgadas (1.91 cm).
 - Instálela en posición horizontal o en un ángulo de no más de 45 °.
5. Instale una ventilación del colector separada.
6. Fije los cables de la bomba y del interruptor a la tubería de descarga utilizando cinta aislante.
7. Agregue un orificio de purga de alivio de aire $\frac{1}{8}$ o $\frac{3}{16}$ pulg (0.32 ou 0.48 cm) en diámetro a la tubería de descarga de la bomba.
 - Taladre este orificio en un ángulo de 45 ° por debajo del plano horizontal y lejos de la bomba.
8. Instale una ventilación del colector separada.

NOTA: Hay una conexión en la parte superior del colector o de la cubierta que debe conectarse a la ventilación existente del edificio o extenderse hacia el exterior con su propia tubería vertical.

9. Conecte la bomba a una fuente de alimentación adecuada. Consulte [“Conexiones eléctricas” en la página 13](#).
10. Confirme que la bomba está funcionando según lo previsto.
11. Coloque una cubierta sobre el recipiente.

Conexiones eléctricas

⚠ WARNING



Esta unidad tiene voltajes elevados que son capaces de provocar lesiones graves o muerte por descarga eléctrica.

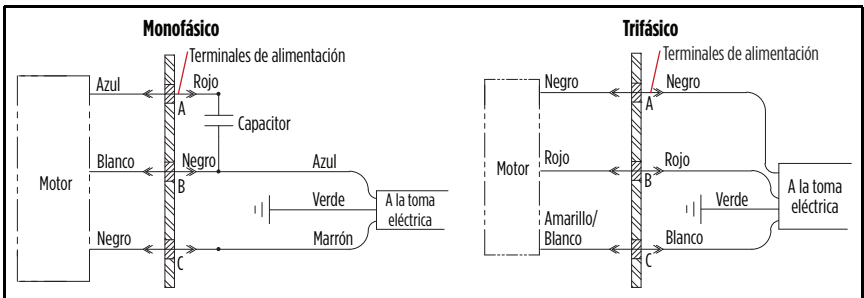
- Cerciórese de que esta bomba esté conectada a un circuito equipado con un dispositivo interruptor de circuito de fallos de conexión a tierra si es requerido por el reglamento electrotécnico.
- Cuando haya agua presente en la zona, siempre desconecte la alimentación eléctrica antes de tocar la bomba, la descarga o el enchufe eléctrico.

IMPORTANTE: Si el cable de alimentación está dañado, se debe reemplazar la unidad en su totalidad.

1. Conecte el cable de alimentación a una fuente constante de energía que coincida con el voltaje en la placa de identificación de la bomba.
 - Conecte la bomba a su propio circuito, sin otros receptáculos o equipos eléctricos en el circuito.
 - Asegúrese de que los fusibles o el disyuntor que forman parte del circuito eléctrico sean de amplia capacidad.

NOTA: No lo conecte a un ventilador ni a un dispositivo que funcione de manera intermitente.

2. Instale un control de protección térmica o de sobrecarga.



Rotación del impulsor

NOTA: Estas instrucciones se pueden utilizar solo con bombas trifásicas.

1. Asegúrese de que los disyuntores estén en la posición "OFF" (APAGADO).
2. Recueste la bomba a un lado para observar el sentido de rotación a través de la admisión.
3. Coloque los disyuntores en la posición "ON" (ENCENDIDO).
4. Asegúrese de que el impulsor gire en sentido antihorario.
5. Para cambiar la rotación, intercambie dos de los cables blancos, rojos o negros de la bomba en la caja de desconexión.

MANTENIMIENTO

⚠ ADVERTENCIA



Riesgo de lesiones graves o muerte por descarga eléctrica, temperaturas elevadas o líquidos presurizados.

- Siempre desenchufe el cable eléctrico de la bomba y desconecte la alimentación eléctrica antes de realizar el mantenimiento de la bomba o del interruptor.
- Deje que la bomba se enfríe al menos 2 horas antes de intentar realizarle mantenimiento. Las bombas sumergibles contienen aceite que se presuriza y calienta en condiciones de operación normales.

AVISO

Riesgo de daños a bomba u otros equipos.

- Está unidad está lubricada permanentemente. No requiere que se le cargue aceite. No abra la sección sellada de la unidad ni quite los tornillos de la carcasa.
- No quite la cubierta de la carcasa del motor, el impulsor o los sellos. La garantía quedará anulada si se han quitado la cubierta de la carcasa del motor, el impulsor o los sellos. Las reparaciones al motor o el impulsor requieren herramientas especiales.

Servicio periódico

Inspeccione y pruebe el estado y el funcionamiento del sistema de la bomba cada 3 meses (con más frecuencia en aplicaciones de uso intensivo).

1. Verifique que no haya daños o corrosión en los cables de alimentación y en la salida eléctrica.

IMPORTANTE: Si el cable de alimentación está dañado, se debe reemplazar la unidad en su totalidad.

2. Retire todos los desechos (grava, arena, escombros flotantes, etc.) de la cuenca.
3. Revise los componentes del sistema de la bomba (recipiente, bomba, interruptor, etc.) para detectar acumulaciones (lodo, sedimentos, minerales, etc.) que podrían impedir la funcionalidad de los componentes.
 - Si es necesario, retire la acumulación o reemplace los componentes afectados.
4. Confirme que todas las abrazaderas flexibles de la manguera de acoplamiento estén completamente ajustadas.

Limpiar el impulsor y la voluta

1. Desconecte la alimentación de la bomba.
2. Retire los cuatro pernos y cuatro arandelas que fijan la voluta a la carcasa del motor.
3. Separe la voluta de la carcasa del motor.

IMPORTANTE: No retire la cubierta de la carcasa del motor.

4. Limpie el impulsor y el pasaje de la voluta.

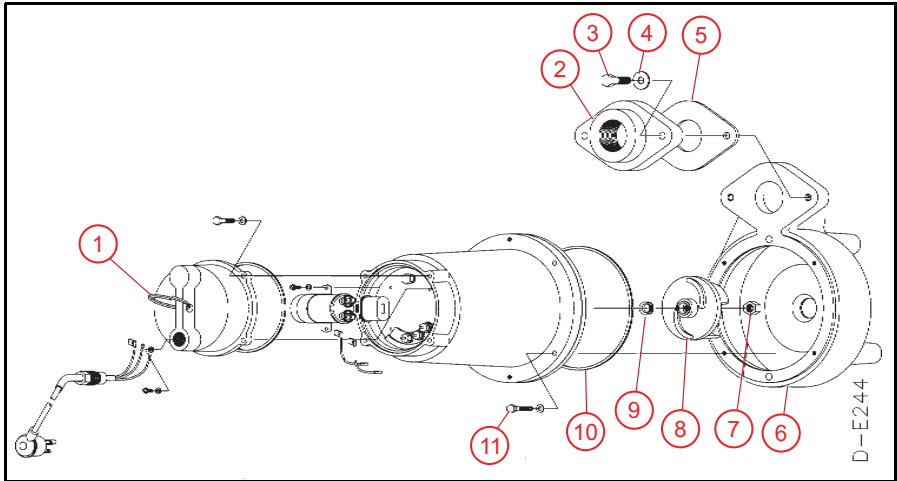
IMPORTANTE: No use solventes fuertes en el impulsor. No quite el impulsor.

5. Asegúrese de que el impulsor gire libremente.
6. Fije la voluta a la carcasa del motor y fíjela con los cuatro pernos y cuatro arandelas.

Solución de problemas

Problema	Causas probables	Acción correctiva
La bomba no se enciende	La bomba no está conectada al suministro eléctrico.	Conecte la bomba a un circuito dedicado que esté equipado con GFCI.
	Disyuntor apagado o sin fusible.	Encienda el disyuntor o reemplace el fusible.
	Acumulación de basura o residuos sobre el flotante.	Limpie el flotante.
	Obstrucción del flotante.	Revise el recorrido del flotante y deje espacio libre.
	Interruptor defectuoso.	Reemplace el interruptor.
	Motor defectuoso.	Reemplace la bomba.
La bomba no se apaga	Obstrucción del flotante.	Revise el recorrido del flotante y deje espacio libre.
	La bomba está obturada por aire.	Si está obstruido, quite la obstrucción del orificio de ventilación.
	El flujo de entrada de líquido coincide con la capacidad de la bomba.	Se requiere una bomba más grande.
	Interruptor defectuoso.	Reemplace el interruptor.
La bomba funciona pero no descarga líquido	Válvula de retención instalada al revés.	Revise en el cuerpo de la válvula de retención la flecha que indica la dirección de flujo para garantizar que la instalación sea correcta.
	Válvula de retención atascada u obstruida.	Quite la válvula de retención y revísela para comprobar que funcione bien.
	Elevación demasiado alta para la bomba.	Revise el desempeño nominal de la bomba.
	Entrada al impulsor obstruido.	Quite la bomba y límpiela.
	La bomba está obturada por aire.	Si está obstruido, quite la obstrucción del orificio de ventilación.
La bomba no cumple con la capacidad nominal	Elevación demasiado alta para la bomba.	Revise el desempeño nominal de la bomba.
	Bajo voltaje, velocidad demasiado lenta.	Compruebe que el voltaje suministrado coincida con la capacidad nominal en la placa de identificación.
	El impulsor o la tubería de descarga están obstruidos.	Quite la bomba y límpiela. Revise si la tubería tiene sarro o señales de corrosión.
	Desgaste del impulsor debido a abrasivos.	Reemplace la bomba.
Ciclos de bomba continuamente	Ausencia de válvula de retención en una tubería de descarga larga, lo que permite que el líquido vuelva a drenar hacia la cuenca.	Instale una válvula de retención en la línea de descarga.
	Desgaste del impulsor causado por abrasivos.	Inspeccione que la válvula de retención funcione correctamente.
	La cuenca es demasiado pequeña para el flujo de entrada.	Instale una cuenca más grande.
Sale agua de un orificio en la base de la unidad.	Esta bomba viene con un orificio de purga que permite la salida del agua atrapada de la bomba, lo que evita que quede obstruida por aire. La salida de agua por este orificio es completamente normal.	No se requiere ninguna acción correctiva.

Piezas de repuesto



Elemento	Descripción	Número de pieza
1	Manija de alambre	114100
2	Disco y brida 3" FNPT (solo para modelos 514420, 514620, 514625, 514630)	114009
	Disco y brida 2" FNPT (solo para modelos 514320)	114004
3	Tornillo, 7/16 - 14 X 1-1/4	903722
4	Arandela de presión, 7/16	921104
5	Junta con brida	114101
6	Difusor, 14S/16S	114042
7	Tuerca de seguridad, 1/2" x 20	920004
8	Propulsor 14S	114044
	Propulsor 16S (solo para modelos 514620, 514625, 514630)	114013
9	Sello en V, Nitrile	926016
10	Anillo de sellado, 7.484 I.D.	928033
11	Tornillo, 5/16-18 x 1-1/4"	903724



Para la ayuda técnica, por favor póngase en contacto:

800.701.7894 | littlegiant.com

10000011131 Rev. 001 05/23

LittleGIANT®

Franklin Electric Co., Inc. | Oklahoma City, OK 73157-2010

Copyright © 2023, Franklin Electric, Co., Inc. Todos los derechos están reservados.

SÉRIE 14S ET 16S

Les pompes submersibles Little Giant des séries 14S et 16S sont recommandées pour une utilisation dans les bassins ou les postes de relèvement et conviennent à l'élimination des effluents d'eaux usées, à la déshydratation et au transfert d'eau. Ces pompes ont une capacité de traitement des matières solides sphériques de 50,8 mm (2 po). Pour les modèles monophasés, utilisez-les avec un système de contrôle du niveau de liquide approuvé ayant une valeur nominale adéquate qui correspond à l'alimentation du moteur inscrite en ampères à pleine charge ou en ampères avec facteur de surcharge. Pour les pompes triphasés, utilisez-les avec un système de contrôle du niveau de liquide approuvé ayant une valeur nominale adéquate qui correspond à l'alimentation du moteur inscrite en ampères à pleine charge avec des éléments de protection thermique conformément aux consignes contrôles.



Ce produit est couvert par une garantie limitée pour une période de 3 ans à compter de la date d'achat originale par le consommateur. Pour obtenir des informations complètes sur la garantie www.LittleGiant.com.

Spécifications

Modèle	Décharge mm (po)	CH	Volts	HZ	Ampères	Watts	Phase	lb/po2	Arrêt m (pi)	
14S	2 (51)	1/2	115	60	11.6	1100	1	10.8	25 (7.6)	
	3 (76.2)									
	2 (51)		208-240		4.6					
	3 (76.2)									
16S	3 (76.2)	1	200-208		11	2000	1500	3	15.1	35 (10.7)
			230			1900				
			200-208			6.3				
			380		50/60	3	850			
			460							

CONSIGNES DE SÉCURITÉ

Cet équipement doit être installé et entretenu par des techniciens qualifiés capables de choisir et d'utiliser les outils, les équipements et les procédures appropriés. Le non-respect des codes électriques et codes de plomberie local et national et des recommandations de Little Giant pourrait mener à une électrocution ou un incendie, une mauvaise performance ou une défaillance de l'équipement.

Lisez et suivez attentivement les instructions pour éviter toute blessure ou tout dommage matériel. Ne démontez pas et ne réparez pas l'appareil si ces opérations ne sont pas décrites dans le présent manuel.

Consultez les plaques signalétiques du produit pour les précautions, les instructions d'utilisation et les spécifications supplémentaires.

Le non-respect des procédures d'installation ou d'utilisation et de tous les codes en vigueur peut entraîner les risques suivants:

▲ DANGER



Risque de mort, de blessure corporelle ou de dommage matériel en raison d'une explosion, d'un incendie ou d'une électrocution.

- Ne pas utiliser pour pomper des liquides inflammables, combustibles ou explosifs comme l'essence, le mazout, le kérosène, etc.
- Ne pas utiliser dans une atmosphère explosive ou un emplacement dangereux selon le Code national de l'électricité, ANSI/NFPA70.
- Ne pas manipuler une pompe ou un moteur de pompe avec les mains mouillées ou debout sur une surface humide ou mouillée, ou dans de l'eau.
- Lorsqu'une pompe est en mode de fonctionnement, ne pas toucher le moteur, les tuyaux ou l'eau tant que l'unité n'a pas été débranchée ou déconnectée électriquement.
- Si le dispositif de coupure du circuit d'alimentation se situe hors site, le verrouiller en position ouverte et le consigner afin d'empêcher toute mise sous tension inopinée.
- Si le panneau du disjoncteur n'est pas accessible, contacter la compagnie d'électricité afin que le courant soit coupé.

▲ AVERTISSEMENT



Cet appareil contient des tensions élevées susceptibles d'entraîner par choc électrique des blessures graves ou la mort.

- Pour réduire le risque de choc électrique, débranchez l'alimentation avant de travailler sur le système ou autour de celui-ci. Plusieurs interrupteurs d'isolement peuvent être nécessaires pour décharger l'équipement avant de procéder à son entretien.
- Certaines pompes sont fournies avec un conducteur de mise à la terre et d'une fiche de branchement de type mise à la terre. Pour réduire le risque de décharge électrique, assurez-vous qu'il est correctement raccordé à un réceptacle de type mise à la terre uniquement. Ne retirez pas la troisième broche de la fiche. La troisième broche permet de mettre la pompe à la terre afin d'éviter les éventuelles décharges électriques. N'utilisez pas de rallonge.
- Certaines pompes sont fournies sans une fiche de branchement et sont conçues pour être câblées à l'aide d'une boîte de jonction ou d'un autre boîtier approuvé. Un connecteur de terre est également fourni avec les pompes. Pour réduire le risque de décharge électrique, assurez-vous qu'il est correctement raccordé à la terre. Le cordon flexible enveloppé monté sur la pompe ne peut être modifié d'aucune manière que ce soit. Il peut uniquement être raccourci si cela est nécessaire pour le faire rentrer dans le panneau de commande. Toute épissure entre la pompe et le panneau de commande doit être réalisée dans une boîte de jonction montée à l'extérieur du bassin, en conformité avec le code national de l'électricité.
- Vérifier les prises électriques à l'aide d'un analyseur de circuit pour s'assurer que les fils de phase, de neutre et de terre sont correctement branchés. Si ce n'est pas le cas, le problème doit être corrigé par un électricien qualifié agréé.
- Raccorder le système de pompe en respectant la tension indiquée.
- Faire appel à un électricien agréé.
- Assurez-vous que les branchements électriques ne peuvent pas être en contact avec l'eau si son niveau augmente. La boîte de jonction ne doit en aucun cas être placée à un endroit où elle pourrait être submergée par l'eau.
- Ne pas soulever la pompe à l'aide du cordon électrique.
- Vérifiez les codes locaux d'électricité et de bâtiment avant l'installation. L'installation doit être conforme à la réglementation ainsi qu'au NEC (Code américain de l'électricité) le plus récent et l'OSHA (loi sur la santé et la sécurité au travail des États-Unis).

ATTENTION



Risque de blessure, de choc électrique ou de dégâts matériels.

- L'utilisation de cet équipement nécessite les instructions d'installation et d'utilisation détaillées fournies dans le présent manuel à utiliser avec ce produit. Lisez le manuel intégralement avant de procéder à l'installation et à l'utilisation du produit. L'utilisateur final doit recevoir et conserver le manuel pour consultation ultérieure.
- Cet équipement ne doit pas être utilisé par des enfants ou des personnes aux capacités physiques, sensorielles ou cognitives réduites, ou par des personnes n'ayant pas l'expérience ou l'expertise appropriée, sauf si ces personnes sont supervisées ou ont reçu des instructions à cet effet. Les enfants ne doivent pas utiliser l'équipement ni jouer avec l'appareil ou dans sa proximité immédiate.
- L'équipement peut démarrer automatiquement. Effectuer les procédures de verrouillage/étiquetage avant d'entretenir l'équipement.
- Une pompe inopérante ou défectueuse pourrait entraîner une inondation, des blessures corporelles ou des dommages matériels. Utilisez avec un contrôle de niveau de liquide approuvé avec une valeur nominale correcte qui correspond à l'entrée du moteur marquée en ampères à pleine charge ou en ampères avec facteur de service.
- Dans les applications où des dommages matériels et/ou des blessures corporelles pourraient découler du non-fonctionnement ou d'une fuite de la pompe en raison de pannes de courant, d'une obstruction de la ligne d'évacuation ou de toute autre raison, un système de sauvegarde automatique et/ou une alarme doivent être installés.
- Cette pompe a été testée pour une utilisation avec de l'eau uniquement. La pompe ne doit être utilisée qu'avec des liquides compatibles avec les matériaux des composants de pompe. Sinon, les liquides peuvent provoquer une défaillance du système d'isolation électrique et causer une décharge électrique.
- Ne pas faire fonctionner la pompe à sec. En cas de fonctionnement à sec, la température à la surface de la pompe augmentera à un niveau susceptible de causer des brûlures cutanées en cas de contact et entraînera de graves dommages à votre pompe.
- Ne pas graisser le moteur. Le carter moteur de la pompe est scellé et renferme une huile diélectrique de qualité supérieure pour la transmission de chaleur et la lubrification à vie. L'utilisation d'autres huiles peut causer de graves électrocutions et/ou des dommages permanents de la pompe.
- Garder les étiquettes de sécurité propres et en bon état.
- Ne pas utiliser le moteur dans une zone de baignade ou un environnement aquatique.
- Il convient de faire fonctionner la pompe en mode manuel et continu seulement en cas d'urgence ou lorsqu'un volume d'eau important doit être pompé. La pompe doit être surveillée en permanence pendant son fonctionnement et débranchée du circuit électrique avant qu'elle ne tourne à sec.

AVIS

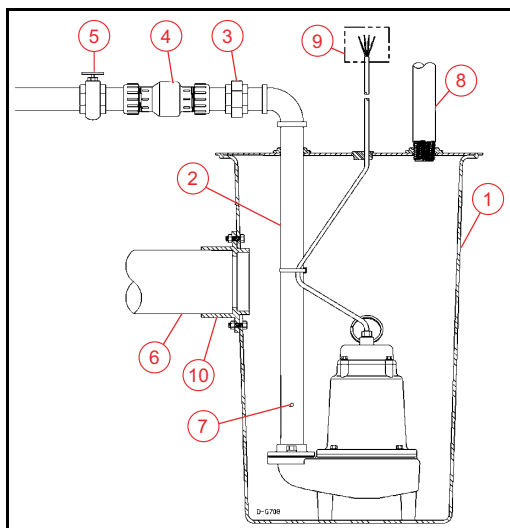
Risque de dommages à la pompe ou d'autres équipements.

- Ne pas utiliser la pompe pour pomper de l'eau de mer, des boissons, de l'acide, des solutions chimiques ou tout autre liquide qui favoriserait la corrosion, ce qui pourrait endommager la pompe.
- Ne pas faire tourner la pompe à sec. Pour obtenir un refroidissement optimal et pour prolonger la durée de vie de la pompe, le niveau de liquide pompé doit normalement dépasser le dessus du boîtier de la pompe.
- Cette pompe n'est pas prévue pour être utilisée dans un étang.

INSTALLATION

Installation typique

- 1 Bassin étanche aux gaz
- 2 Refoulement
- 3 Raccord
- 4 Clapet de retenue
- 5 Clapet de la vanne
- 6 Entrée
- 7 Orifice de prise d'air
- 8 Aération
- 9 Consultez « Connexions électriques » page 21.
- 10 Collet d'étanchéité



Installation physique

AVIS

Risque de dommages matériels dus aux inondations.

- Soutenir la pompe et la tuyauterie au cours de l'assemblage et après installation. Un manquement pourrait entraîner la rupture des tuyaux, la défaillance de la pompe, la défaillance des paliers du moteur, etc.
- Si un orifice de sûreté n'est pas percé dans le tuyau de refoulement, la pompe peut être « bloquée par de l'air » et ne pas pomper d'eau, même si elle est en marche.
- Une soupape antiretour manquante, mal installée ou défaillante peut entraîner un cycle court de la pompe en raison du retour du liquide pompé entre la structure d'évacuation et le bassin, réduisant considérablement la durée de vie de la pompe.

1. Installez la pompe dans un bassin approprié d'au moins 45,72 cm (18 pi) de diamètre et 76,2 cm (30 pi) de profondeur.
 - S'assurer que le puisard est propre et libre de clous, gravier, corde, linges, débris, avant d'installer.
 - Prévoyez un espace adapté aux futures opérations d'entretien, à la protection contre le gel et contre les inondations, et à la vidange des équipements.
 - Ne placez jamais la pompe directement sur une surface d'argile, de terre ou de gravier.

IMPORTANT : N'essayez pas de restreindre le côté prise de ces pompes.

2. Connectez la tuyauterie de refoulement. Utilisez une pâte à joint de tuyau sur toutes les connexions.
 - Le tuyau de refoulement doit être aussi court que possible et comporter le moins de coudes possible.
 - Le tuyau de refoulement doit avoir un diamètre supérieur à la taille de refoulement de la pompe.
 - Utilisez des tuyaux en ABS, PVC, polyéthylène, acier inoxydable ou acier galvanisé.
 - Pour les systèmes de rails, utilisez les adaptateurs appropriés pour raccorder les tuyaux non métalliques. Reportez-vous aux instructions fournies avec le système.
3. Installez toujours un raccord union dans le conduit de refoulement, juste au-dessus du couvercle de bassin.
4. Installez un clapet de non-retour à la ligne de renvoi qui passera facilement solides de 1,91 cm (3/4 po).
 - Installez les clapets à l'horizontale ou à un angle ne dépassant pas 45 °.
5. Installez un robinet-vanne dans la conduite d'évacuation.
6. Enregistrez la pompe et échangez des cordes à la ligne de renvoi avec la bande électrique.
7. Créez un orifice de prise d'air 0,32 ou 0,48 cm (1/8 ou 3/16 po) de diamètre à la tuyauterie de refoulement de la pompe.
 - Percez ce trou à un angle de 45 ° sous le plan horizontal et éloigné de la pompe.
8. Installez une ventilation de puisard distincte.

REMARQUE : Un raccord est prévu au-dessus du puisard ou du couvercle qui doit être acheminé à la ventilation du bâtiment existant ou prolongé à l'extérieur avec sa propre colonne montante.

9. Branchez la pompe sur une alimentation électrique appropriée. Consultez « [Connexions électriques](#) » page 21.
10. Confirmez que la pompe fonctionne comme prévu.
11. Placez le couvercle par-dessus le bassin.

Connexions électriques

⚠ WARNING



Cet appareil contient des tensions élevées susceptibles d'entraîner par choc électrique des blessures graves ou la mort.

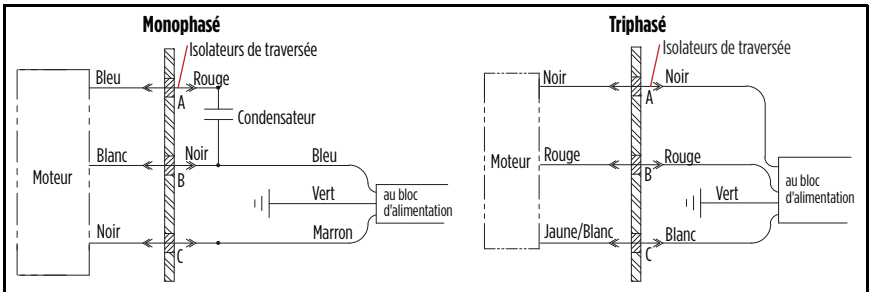
- Assurez-vous que cette pompe est connectée à un circuit équipé d'un disjoncteur différentiel de fuite à la terre (DDFT) si le règlement l'exige.
- Débranchez toujours l'alimentation électrique avant de toucher la pompe, l'évacuation ou la prise électrique en cas de présence d'eau dans la zone.

IMPORTANT : Si le cordon d'alimentation est endommagé, l'unité entière doit être remplacée.

1. Raccordez le cordon d'alimentation à une source d'alimentation électrique constante qui correspond à la plaque signalétique de la pompe.
 - Connectez la pompe à son propre circuit, sans aucun autre équipement électrique ou prise dans le circuit.
 - Assurez-vous que les fusibles ou le disjoncteur ont une capacité suffisante dans le circuit électrique.

REMARQUE : Ne le raccordez pas à un ventilateur ou à tout dispositif fonctionnant par intermittence.

2. Installez un système de contrôle de protection thermique ou de protection contre les surcharges.



Rotation de turbine

REMARQUE : Ces instructions s'appliquent uniquement aux pompes triphasées.

1. Assurez-vous que les disjoncteurs sont en position « OFF ».
2. Déposez la pompe sur le côté pour observer le sens de rotation à travers l'entrée.
3. Mettez les disjoncteurs en position « ON ».
4. Assurez-vous que la roue tourne dans le sens antihoraire.
5. Pour changer la rotation, intervertissez deux des fils blancs, rouges ou noirs de la pompe dans le boîtier de déconnexion.

ENTRETIEN

⚠ AVERTISSEMENT



Risque de blessure grave ou de mort par électrocution, température élevée ou liquide sous pression.

- Avant d'effectuer des travaux sur la pompe ou l'interrupteur, vous devez toujours débrancher le cor-don d'alimentation de la pompe, en plus de retirer le fusible ou de couper le disjoncteur.
- Laisser la pompe refroidir pendant au moins deux heures avant toute tentative d'entretien. Les pompes immer-gées contiennent de l'huile qui devient chaude et sous pression dans des conditions normales d'utilisation.

AVIS

Risque de dommages à la pompe ou d'autres équipements.

- Cette unité est lubrifiée en permanence. Aucun graissage n'est nécessaire. Ne pas ouvrir la partie scellée de l'unité ni retirer les vis du boîtier.
- Ne pas retirer le couvercle du boîtier du moteur, le rotor ou les joints. Le retrait du couvercle du boîtier du moteur, du rotor ou des joints entraînera l'annulation de la garantie. La réparation du moteur ou du rotor nécessite l'utilisation d'outils spéciaux.

Service périodique

Inspectez et testez l'état et le fonctionnement du système de puisard tous les trois mois (plus fréquemment en cas d'utilisation intensive).

1. Inspectez les cordons d'alimentation et la prise électrique pour la présence de dommages ou de corrosion.

IMPORTANT : Si le cordon d'alimentation est endommagé, l'unité entière doit être remplacée.

2. Retirez tous les débris (gravier, sable, débris flottants, etc.) du bassin de puisard.
3. Passez en revue les composants du système de pompe (bassin, pompe, interrupteur, etc.) afin de détecter la présence de toute accumulation (boues, sédiments, minéraux, etc.) susceptible de nuire au bon fonctionnement des composants.
 - Si ces accumulations sont importantes, retirez-les ou remplacez les composants touchés.
4. Confirmez que les colliers de serrage de tous les raccords flexibles sont fixés et bien serrés.

Nettoyage de l'impulseur et de la volute

1. Débranchez l'alimentation de la pompe.
2. Retirez les quatre boulons et les quatre rondelles qui fixent la volute au boîtier du moteur.
3. Séparez la volute du boîtier du moteur.

IMPORTANT : Ne pas retirer le couvercle du boîtier du moteur.

4. Nettoyez le passage de volute et l'impulseur.

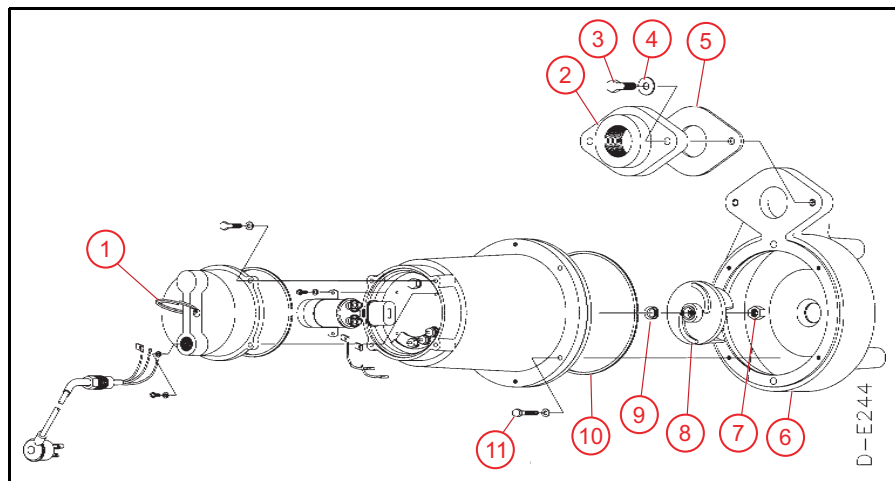
IMPORTANT : N'utilisez pas de solvants forts sur l'impulseur. Ne pas retirer le rotor.

5. Assurez-vous que l'impulseur tourne librement.
6. Placez la volute sur le boîtier du moteur et fixez-la avec les quatre boulons.

Dépannage

Problème	Causes probables	Mesure Corrective
La pompe ne démarre pas	La pompe n'est pas branchée.	Branchez la pompe.
	Disjoncteur éteint ou fusible retiré.	Activez le disjoncteur ou remplacez le fusible.
	Accumulation de déchets sur le flotteur.	Nettoyez le flotteur.
	Obstruction du flotteur.	Vérifiez la trajectoire du flotteur et assurez son dégagement
	Interrupteur défectueux.	Remplacer l'interrupteur.
	Moteur défectueux.	Remplacer la pompe.
La pompe ne s'arrête pas	Obstruction du flotteur ou de sa tige.	Vérifiez la trajectoire du flotteur et de sa tige et assurez leur dégagement.
	La pompe est bloquée par de l'air.	Enlever la pompe et nettoyer le trou de purge d'air.
	Le débit d'entrée de liquide atteint la capacité de la pompe.	Une pompe de plus grande taille est requise.
	Interrupteur défectueux.	Remplacer l'interrupteur.
La pompe fonctionne, mais ne refoule pas de liquide	Le clapet anti-retour est installé à l'envers.	Vérifiez la flèche qui indique le débit sur le corps du clapet anti-retour, afin de vous assurer que ce clapet est installé correctement.
	Clapet anti-retour coincé ou obstrué.	Retirez le clapet anti-retour et inspectez-le pour vérifier son bon fonctionnement.
	L'élévation est trop élevée pour la pompe.	Vérifiez le tableau des valeurs nominales.
	L'aspiration vers l'impulseur est obstruée.	Retirez la pompe et nettoyez-la.
	La pompe est bloquée par de l'air.	Enlever la pompe et nettoyer le trou de purge d'air.
La pompe ne fonctionne pas à sa capacité nominale	L'élévation est trop élevée pour la pompe.	Vérifiez le rendement nominal de la pompe.
	Faible tension, vitesse trop lente.	Vérifiez la tension appropriée d'alimentation, pour vous assurer qu'elle correspond à la tension sur la plaque signalétique.
	Le tuyau de refoulement ou l'impulseur est obstrué.	Retirez la pompe et nettoyez-la. Vérifiez le tuyau pour la présence d'entartrage ou de corrosion.
	Usure de l'impulseur à cause d'éléments abrasifs.	Remplacer la pompe.
La pompe effectue continuellement des cycles	Aucun clapet anti-retour n'est installé sur le long tuyau de refoulement afin de permettre au liquide de retourner dans le puisard.	Installez un clapet anti-retour sur le conduit de refoulement.
	Le tuyau de refoulement ou l'impulseur est obstrué.	Inspectez le clapet anti-retour pour vérifier son bon fonctionnement.
	Bassin trop petit pour le débit entrant.	Installez un bassin de plus grande tail.
Les sprays d'eau d'un trou dans la pipe de renvoi.	Il devrait y avoir un trou saigné dans la pipe de renvoi qui permet à l'air piégé de s'échapper de la pompe, en prévenant la bulle d'air.	Aucune mesure corrective n'est requise.

Pièces de rechange



Article	Description	Numéro de pièce
1	Poignée à ressort	114100
2	Disque; bride 3 po FNPT (uniquement pour les modèles 514420, 514620, 514625, 514630)	114009
	Disque; bride 2 po FNPT (uniquement pour les modèles 514320)	114004
3	Vis; 7/16 - 14 X 1-1/4	903722
4	Rondelle de blocage; 7/16	921104
5	Joint de bride	114101
6	Volute; 14S/16S	114042
7	Contre-écrou; 1/2 po x 20	920004
8	Turbine 14S	114044
	Turbine 16S (uniquement pour les modèles 514620, 514625, 514630)	114013
9	Joint chevron; Nitrile	926016
10	Joint d'étanchéité; 7,484 I.D.	928033
11	Vis; 5/16-18 x 1-1/4 po	903724



Pour l'aide technique, entrez s'il vous plaît en contact :

800.701.7894 | littlegiant.com

1000011131 Rév. 001 05/23

LittleGIANT®

Franklin Electric Co., Inc. | Oklahoma City, OK 73157-2010

Droits d'auteur © 2023, Franklin Electric, Co., Inc. Tous droits réservés.