

MODEL 6 SERIES Sump Pumps

Owner's Manual



Table of Contents

INSTALLATION - - - - -	5
Typical Installation - - - - -	5
Physical Installation- - - - -	6
Electrical Connections- - - - -	7
<i>Wiring Guidelines</i> - - - - -	7
<i>Power Supply</i> - - - - -	8
OPERATION TESTING - - - - -	9
Testing Automatic Pump Operation - -	9
<i>Testing the Diaphragm Switch</i> - -	10
<i>Testing the Float Switch</i> - - - -	10
Testing Manual Pump Operation- - -	11
MAINTENANCE - - - - -	12
Periodic Service- - - - -	12
<i>Cleaning Impeller and Volute</i> - - -	12
Troubleshooting - - - - -	13
Replacement Parts - - - - -	14

SAFETY INSTRUCTIONS

Hazard Messages

This manual includes safety precautions and other important information in the following formats:

⚠ DANGER
Indicates an imminently hazardous situation which, if not avoided, will result in death or serious injury.


⚠ WARNING
Indicates a potentially hazardous situation which, if not avoided, could result in death or serious injury.


⚠ CAUTION
Indicates a potentially hazardous situation which, if not avoided, could result in minor or moderate personal injury.

NOTICE
Indicates a potentially hazardous situation which, if not avoided could result in damage to equipment or other property.

IMPORTANT: Identifies information that controls correct assembly and operation of the product.

NOTE: Identifies helpful or clarifying information.

 This symbol alerts the user to the presence of dangerous voltage inside the product that might cause harm or electrical shock.

 This symbol alerts the user to the presence of hot surfaces that might cause fire or personal injury.

Before Getting Started


This equipment should be installed and serviced by technically qualified personnel who are familiar with the correct selection and use of appropriate tools, equipment, and procedures. Failure to comply with national and local electrical and plumbing codes and within Little Giant recommendations may result in electrical shock or fire hazard, unsatisfactory performance, or equipment failure.

Know the product's application, limitations, and potential hazards. Read and follow instructions carefully to avoid injury and property damage. Do not disassemble or repair unit unless described in this manual.

Refer to product data plate(s) for additional precautions, operating instructions, and specifications.

Failure to follow installation or operation procedures and all applicable codes may result in the following hazards:

⚠ DANGER

 **Risk of death, personal injury, or property damage due to explosion, fire, or electric shock.**

- Do not use to pump flammable, combustible, or explosive fluids such as gasoline, fuel oil, kerosene, etc.
- Do not use in explosive atmospheres or hazardous locations as classified by the NEC, ANSI/NFPA70.
- Do not handle a pump or pump motor with wet hands or when standing on a wet or damp surface, or in water.
- When a pump is in its application, do not touch the motor, pipes, or water until the unit is unplugged or electrically disconnected.
- If the power disconnect is out of sight, lock it in the open position and tag it to prevent unexpected application of power.
- If the disconnect panel is not accessible, contact the electric company to stop service.

⚠ WARNING



High voltages capable of causing severe injury or death by electrical shock are present in this unit.

- To reduce risk of electrical shock, disconnect power before working on or around the system. More than one disconnect switch may be required to de-energize the equipment before servicing.
- This product is supplied with a grounding conductor and grounding-type attachment plug. To reduce risk of electric shock, be certain that it is connected only to a properly grounded grounding-type receptacle. Do not remove the third prong from the plug. The third prong is to ground the pump to help prevent possible electric shock hazard. Do not use an extension cord.
- Be certain that this pump is connected to a circuit equipped with a ground fault circuit interrupter (GFCI) device.
- Wire pump system for correct voltages.

NOTICE

Risk of damage to pump or other equipment.

- Do not use this pump for pumping sea water, beverages, acids, chemical solutions, or any other liquid that promotes corrosion as this can result in damage to the pump.¹
- Do not run pump dry. For optimal cooling and to prolong the motor life, the liquid level being pumped should normally be above the top of the pump housing.
- This pump is not suitable for pond applications.

¹Except CB Models

⚠ CAUTION



Risk of bodily injury, electric shock, or property damage.

- This equipment must not be used by children or persons with reduced physical, sensory, or mental abilities, or lacking in experience and expertise, unless supervised or instructed. Children may not use the equipment, nor may they play with the unit or in the immediate vicinity.
- Equipment can start automatically. Always unplug the pump power cord and disconnect the electrical power before servicing the pump or switch. Lockout-Tagout before servicing equipment.
- An inoperative or malfunctioning pump could lead to flooding, resulting in personal injury or property damage.
- In applications where property damage and/or personal injury might result from an inoperative or leaking pump due to power outages, discharge line blockage, or any other reason, an automatic back-up system and/or an alarm should be installed.
- Do not run the pump dry. If run dry, the surface temperature of the pump will rise to a high temperature that could cause skin burns if touched, and will cause serious damage to the pump.
- The pump has been evaluated for use with water only. Pump should only be used with liquids compatible with pump component materials. If the pump is used with liquids incompatible with the pump components, the liquid can cause failure to the electrical insulation system resulting in electrical shock.
- Do not oil the motor. The pump's motor housing is sealed, and contains a high-grade dielectric oil for heat transfer and lifetime lubrication. Use of other oils could cause serious electric shock and/or permanent damage to the pump.
- Operation of this equipment requires detailed installation and operation instructions provided in this manual for use with this product. Read entire manual before starting installation and operation. End User should receive and retain manual for future use.
- Keep safety labels clean and in good condition.
- Keep work area clean, well-lit, and uncluttered.
- Wear safety glasses while installing or performing maintenance on the pump.
- Do not wear loose clothing, jewelry, or anything that may be caught in the rotating parts. Tie up long hair and remove jewelry.

PRODUCT DESCRIPTION

Models

PRODUCT DESCRIPTION

This submersible pump is for use in basins or lift stations and is suitable for pumping clear water. Do not use the pump in applications where effluent (gray water), sewage, or any other debris (gravel, sand, floating debris, etc.), abrasives, or corrosives are present. The pump comes with a 1½-inch female pipe thread discharge and a 1¼-inch FNPT reducing bushing. Sump pumps can be piped to discharge into the house drainage system, to a dry well, splash block, or to a storm drain, depending on local plumbing codes. Both automatic and manual versions of these pumps are available.

The pump motor is equipped with an automatic resetting thermal protector, and may restart unexpectedly. Thermal Protector tripping is an indication of motor overloading or overheating, which can be caused by application issues such as an obstructed pump impeller, switch stuck in the ON position, pump running dry, pump air-locked, pump short cycling, excessively high or low voltage supply, or possibly a pump, motor, bearings, or seal that have reached the end of their useful life.

This product is covered by a Limited Warranty for a period of 3 years from the date of original purchase by the consumer. For complete warranty information, refer to www.LittleGiant.com; or call Customer Support for a printed copy.

Models

Model	Pump Activation Method	Voltage	Amps	HP	PSI
6-CIA	Automatic with diaphragm switch	115 or 230*	15 or 10	½	7.8
6-CIM	Manual				
6-CIM-R					
6-CIM-RS	Automatic with remote diaphragm switch	115	15		
6-CIA-RFS	Automatic with remote float switch				
6-CIA-ML	Automatic with diaphragm switch				
6-CBA					
6-CBM	Manual				

*Pumps are not dual voltage.

Manual pumps can be converted to Automatic mode by installing a separate liquid level control, such as an RS-5 Remote Switch kit.

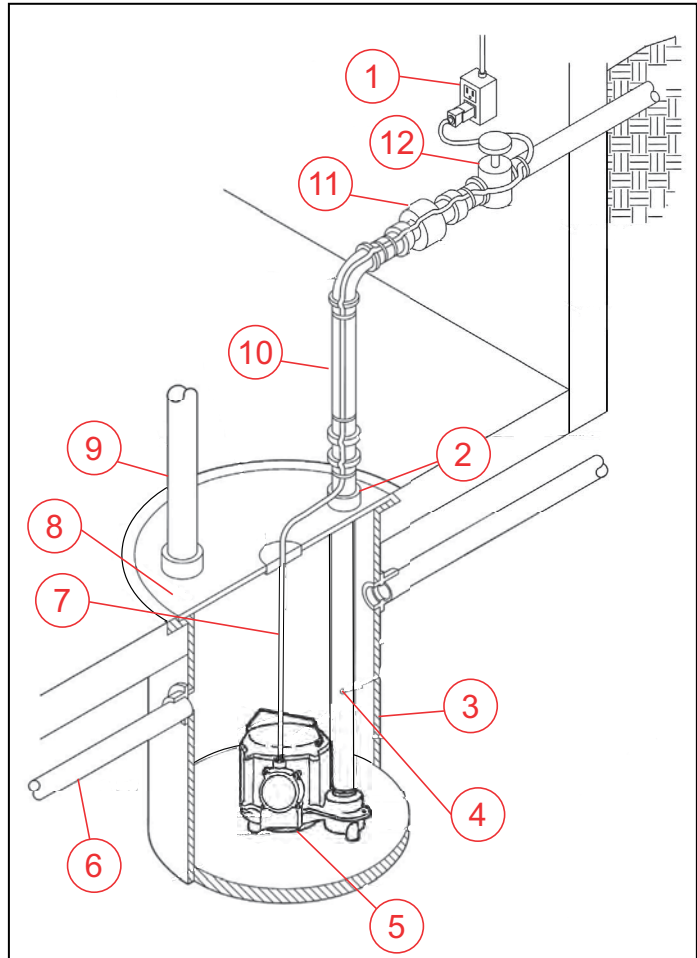
Flow Rates

Gallons/Liters per Minute at height			Shut Off
5 ft (1.5 m)	10 ft (3 m)	15 ft (4.5 m)	
46 / 174	29 / 110	12.5 / 47.3	18 ft (5.5 m)

INSTALLATION

Typical Installation

- 1 Outlet minimum 4 ft (1.2 m) above floor level
- 2 Union
- 3 Gas tight basin
- 4 Air bleed hole
- 5 Pump
- 6 Intake
- 7 Pump power cord
- 8 Basin cover
- 9 Basin vent
- 10 Discharge
- 11 Check valve
- 12 Gate valve



Physical Installation

⚠ WARNING



Risk of severe injury or death by electrical shock.

- Always disconnect the electrical power before touching the pump or discharge.
- Check local electrical and building codes before installation. The installation must be in accordance with their regulations as well as the most recent National Electrical Code (NEC).

NOTICE

Risk of property damage due to flooding.

- If the relief hole in the discharge pipe is not provided, the pump could “air lock” and will not pump water even though it will run.
- A missing, improperly installed, or malfunctioning check valve can cause a pump to short-cycle due to back-flow of the pumped fluid from the discharge plumbing back into the basin, significantly shortening the life of the pump.

1. Install the pump in the center of a suitable basin that is at least 18 inches in diameter and 24 inches deep in accordance with local plumbing codes.

NOTE: Diaphragm switch models may be used in basins 10 inches in diameter.

- Clean any debris from the basin.
 - Refer to [“Typical Installation” on page 5.](#)
2. Place the pump-basin assembly on a hard, level surface.
 - Never place the pump directly on clay, earth or gravel surfaces. These surfaces contain small stones, gravel, sand etc. that may clog or damage the pump and cause pump failure.
 - Do not restrict the intake of the pump as this may damage the seal and starve the pump.
 3. Install discharge piping.
 - The discharge pipe should be as short as possible and contain as few elbows as possible.
 - Do not use piping smaller than the pump discharge.
 - Use pipe joint compound at all connections.
 - Support the pump and piping. Failure to do so may cause the piping to break, the pump to fail, motor bearing failures, etc.
 - If reduced flow rates are required, place a valve on the pump discharge or, if flexible vinyl tubing is used, a clamp on the tubing.
 - Install a union in the discharge line just above the basin cover for ease of maintenance.
 4. Install a full-flow check valve in the discharge line horizontally to prevent back-flow of liquid into the basin.
 - If installed vertically, solids may settle in the valve and prevent it from opening at start-up.
 5. Drill a $\frac{1}{8}$ -inch or $\frac{3}{16}$ -inch diameter relief hole in the discharge pipe below the floor line between the pump discharge and check valve.
 6. Tape the pump and switch cords to the discharge pipe with electrical tape to keep the power cords securely routed away from the pump inlet and any control floats.

IMPORTANT: Automatic models using a diaphragm switch include a breather tube that runs through the power cord. On models with a hardwired connection, this tube extends from the end of the cord. On models with a plug, the tube is integrated into the plug. Be sure the tube is not obstructed, pinched, or kinked during installation.

7. Connect the pump to an appropriate power supply. Refer to [“Electrical Connections” on page 7.](#)
8. Test the operation of the system. Refer to [“Operation Testing” on page 9.](#)

IMPORTANT: Do not attempt to operate the pump without water.

9. Place cover over basin to help prevent debris from entering the pit and guard against accidental injury.

Electrical Connections

⚠ WARNING



Risk of severe injury or death by electrical shock.

- Always disconnect the electrical power before touching the pump or discharge.
- Some pumps are supplied with lead wires and are intended to be hardwired using a junction box or other approved enclosure. The pumps include a grounding connector. To reduce risk of electric shock, be certain that it is properly connected to ground.
- Some pumps are supplied with a grounding conductor and grounding-type attachment plug. To reduce risk of electric shock, be certain that it is connected only to a properly grounded grounding-type receptacle. Do not remove the third prong from the plug. The third prong is to ground the pump to help prevent possible electric shock hazard. Do not use an extension cord.
- Do not remove the third prong from the plug, or cut plug from cord. These actions will void the warranty.
- Check electrical outlets with a circuit analyzer to ensure power, neutral, and ground wires are properly connected. If not, a qualified, licensed electrician should correct the problem.
- The flexible jacketed cord assembly mounted to the pump must not be modified in any way, with the exception of shortening the cord to fit into a control panel. Any splice between the pump and the control panel must be made within a junction box mounted outside of the basin and comply with the National Electrical Code.
- Do not use the power cord for lifting the pump.
- Do not use an extension cord.

Wiring Guidelines

1. Check the pump label for proper voltage required.
2. Connect to a circuit equipped with a ground fault circuit interrupter (GFCI) device if required by code.
 - Do not connect to a voltage other than that shown.
 - The pump should be connected or wired to its own circuit with no other electric receptacles or equipment in the circuit.
 - The fuses or circuit breaker should be of ample capacity in the electrical circuit. For amperage ratings, refer to nameplate and [“Product Description” on page 4.](#)

INSTALLATION

Electrical Connections

Power Supply

⚠ WARNING

⚡ Risk of severe injury or death by electrical shock.

- In a 230 V direct wire installation, one side of the line going to the pump is always electrically energized, regardless of whether the liquid level control switch is open or closed. To avoid hazards when installing or servicing, install a double-pole disconnect near the pump installation.
- Be sure the electrical connection cannot be reached by rising water. Under no circumstances should the junction box be located where it may become flooded or submerged by water.

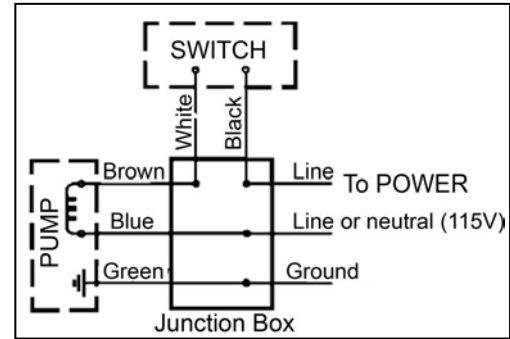
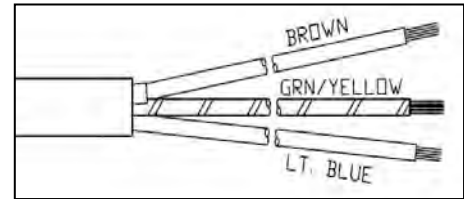
Models With Stripped Wire Ends

Some models are supplied with a stripped wire cord end. Power connections, along with any liquid level control, must be made within a junction box mounted outside of the basin, and must comply with the National Electrical Code. Employ a licensed electrician.

The power cord wires are color coded as follows:

Color	Wire Type
Green (or green/yellow)	Ground
Black (or brown)	Line
White (or blue)	Line (230 V) or neutral (115 V)

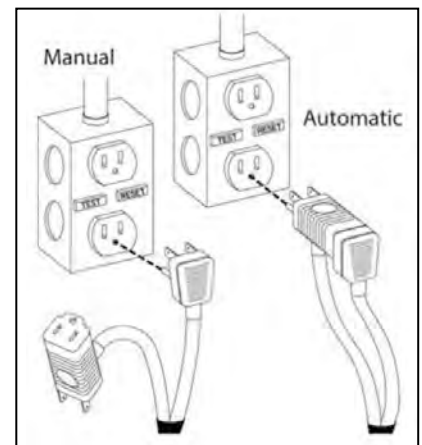
To add a liquid level control to a hardwired pump, use the diagram to the right.



Automatic Pump Models

Pumps equipped with an integral automatic diaphragm switch include one master power cord for both the pump and the switch. Plug the cord into a GFCI outlet.

Models with a float switch, or remote diaphragm switch, include two power cords with a piggyback plug on the switch cord. For automatic operation, plug the pump cord into the switch cord. Plug the switch cord (with pump cord attached) into a GFCI outlet.



Manual Pump Models

Manual pumps are plugged into a dedicated GFCI receptacle and are controlled either by switching the power or by unplugging the cord.

Manual, continuous pump operation should be used only for emergencies, or when a large volume of water is to be pumped. The pump must be continuously monitored during manual operation and disconnected from power before the pump runs dry.

Manual pumps can be converted to automatic mode by installing a separate liquid level control. Install according to the manufacturer's instructions.

OPERATION TESTING

NOTICE

Risk of damage to pump or other equipment.

- Do not attempt to run the pump without water; this could result in permanent damage to the pump.
- If pump is run dry, it may damage pump and void the warranty.

If the unit is going to be idle for a period of time, follow the cleaning instructions in [“Cleaning Impeller and Volute” on page 12](#). Do not let the unit freeze. This may cause cracking or distortion that may destroy the unit.

Testing Automatic Pump Operation

Pump models 6-CIA, 6-CIA-RS, and 6-CBA are equipped with a diaphragm switch that operates by balancing water and air pressure. Rising water in the basin applies pressure to the diaphragm, which activates the switch, turning on the pump. As the water level falls, the pressure decreases until the switch deactivates, turning off the pump. For the switch to function properly, it is vented to the atmosphere through a breather tube routed through the pump’s power cord. Non-restrictive air flow in the breather tube is required.

Pump model 6-CIA-RFS is equipped with a remote float switch with a piggyback plug on the switch cord. The pump must be plugged into the piggyback switch cord for automatic operation.

When the pump is installed in a basin with a sealed cover, pump operation cannot be observed. The basin cover will usually have a spare hole that is plugged with a rubber plug. This plug can be removed and pump operation can be observed.

To test system operation, follow these steps:

1. Connect the pump to power with correct voltage. Refer to the pump nameplate.
2. If applicable, be sure the gate valve on the discharge line is open.
3. Run water into the basin until the pump is activated. Do not attempt to run the pump without water.
4. Confirm that the pump and its control switch are functioning as intended.

NOTE: If the pump doesn’t turn on, test the switch. Refer to [“Testing the Diaphragm Switch” on page 10](#) or [“Testing the Float Switch” on page 10](#).

5. Confirm that the ON/OFF levels are within specification.
6. Make sure no potential obstructions exist that could inhibit switch operation.
7. Verify there are no leaks in the pump discharge plumbing and main home drain pipe plumbing.

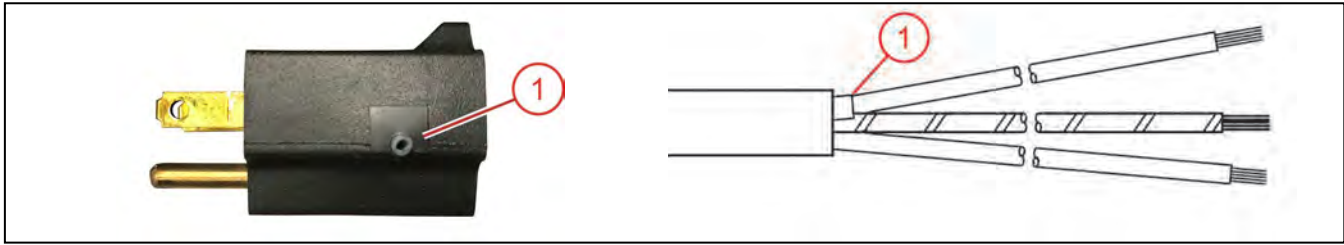
NOTE: It is normal for a stream of water to spray from the air bleed hole in the pump’s plumbing. Water also sprays out of a hole in the base of the unit. Confirm that this spray is captured within the basin.

8. Allow the pump to operate through several on/off cycles.

OPERATION TESTING

Testing Automatic Pump Operation

Testing the Diaphragm Switch



NOTE: This test is recommended for bench testing only.

To test the functionality of the diaphragm switch without submersing it in water, suction (vacuum) must be applied to the open end of the breather tube (1) at the power cord plug or stripped end of the power cord.

Suction can be applied using a suction bulb syringe (2).

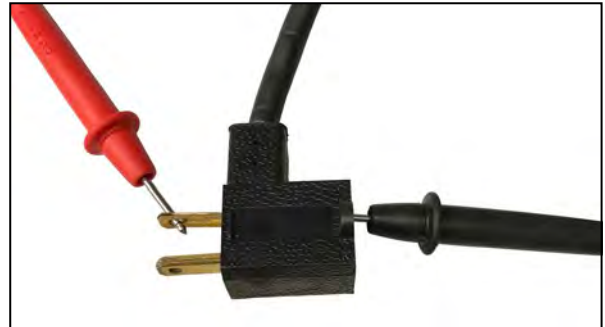
The suction causes the switch diaphragm to draw inward, activating the switch inside the switch housing. When syringe is released, the diaphragm returns to its original position deactivating the switch inside the switch housing.



1. Squeeze the bulb of the syringe.
2. Insert the small end into the breather tube of the power cord.
3. Release the bulb to induce suction/vacuum.
4. Listen for the switch to make a click sound.
5. Once the suction/vacuum equalizes, listen for the diaphragm switch to release.

Testing the Float Switch

A float switch can be bench tested by using an ohmmeter to check for continuity between the incoming and outgoing connections of the piggyback plug while raising and lowering the float.



Testing Manual Pump Operation

▲ CAUTION

Risk of bodily injury or damage to pump or other equipment.

- Manual, continuous pump operation should be used only for emergencies, or when a large volume of water is to be pumped. The pump must be continuously monitored during operation and disconnected from power before the pump runs dry.
- If an accessory float switch or other liquid level control is installed, refer to manufacturer's instructions. Failure to install control in compliance with national and local electrical and plumbing codes and within manufacturer's recommendations may result in electrical shock or fire hazard, unsatisfactory performance, or equipment failure.

Pump models 6-CIM, 6-CIM-R, and 6-CBM are manual pumps.

For automatic operation of a manual pump, a separate float switch or other liquid level control may be used. If a float switch or level control has been added, refer to [“Testing Automatic Pump Operation” on page 9](#) for test procedure.

1. Connect a discharge hose to the pump's discharge port.
2. Place pump into a basin or test reservoir.
3. Direct the opposite end of the discharge hose back into the basin or test reservoir so the water discharged from the hose during testing will be contained within the basin or test reservoir.
 - Secure the hose to prevent the water pressure created during testing from causing the hose to exit the basin or test reservoir.
4. If there is a gate valve on the discharge line, be sure the valve is open.
5. Using a separate water source, fill the basin or test reservoir until the pump is fully submerged.
 - Do not attempt to run the pump without water; this could result in permanent damage to the pump.
 - Do not overfill the basin or test reservoir.
6. If the pump is provided with an attachment plug on the power cord, plug the pump's power cord into a ground fault circuit interrupter (GFCI) receptacle with voltage consistent with the pump voltage, as indicated on the pump nameplate.
 - If the pump is hardwired, turn on the circuit breaker for the pump's power circuit.
7. Confirm that the pump is functioning as intended.
8. If pump is not functioning as intended, disconnect power from the pump and refer to [“Troubleshooting” on page 13](#). If the solution still cannot be found, please contact the place of purchase or an authorized service center.
9. If the pump is functioning as intended, disconnect power from the pump before attempting to remove it from the basin or test reservoir.

MAINTENANCE

⚠ WARNING



Risk of severe injury or death by electrical shock, high temperatures, or pressurized fluids.

- Always unplug the pump power cord and disconnect the electrical power before servicing the pump or switch.
- Let pump cool for a minimum of 2 hours before attempting to service. Submersible pumps contain oil that becomes pressurized and hot under normal operating conditions.

NOTICE

Risk of damage to pump or other equipment.

- This unit is permanently lubricated. Oiling is not required. Do not open the sealed portion of the unit or remove housing screws.
- Do not remove the motor housing cover.
- Do not remove the impeller. Warranty is void if the motor housing cover, impeller, or seals have been removed. Repairs on the motor or impeller require special tools.

Periodic Service

Inspect and test the pump system condition and operation every three months—more frequently in heavy use applications.

1. Check the power cords, electric receptacle, and/or junction box for damage or corrosion.
NOTE: The power cord on these units cannot be replaced. If damaged, replace the complete unit.
2. Remove all debris (gravel, sand, floating debris, etc.) from the basin.
3. Check the pump system components (basin, pump, switch, etc.) for any build-up (sludge, sediment, minerals, etc.) that would inhibit functionality of the components. If significant, remove build-up or replace affected components.
4. Confirm all flexible coupling hose clamps are fully engaged with plumbing and fully tightened.
5. Test operation of the pump system. Refer to [“Operation Testing” on page 9](#).
6. While the pump is running, make sure a stream of water is escaping from the air bleed hole. If not, clear the hole of any deposits or debris.

Cleaning Impeller and Volute

Periodic cleaning of the pump parts will prolong the life and efficiency of the pump. Refer to the assembly and disassembly of the pumping head.

1. After removing power to the pump, disconnect the pump from the discharge plumbing.
2. Remove the five screws that hold the base to the volute, then separate the base from the volute.
3. Remove the base and clean the impeller and the volute passage.

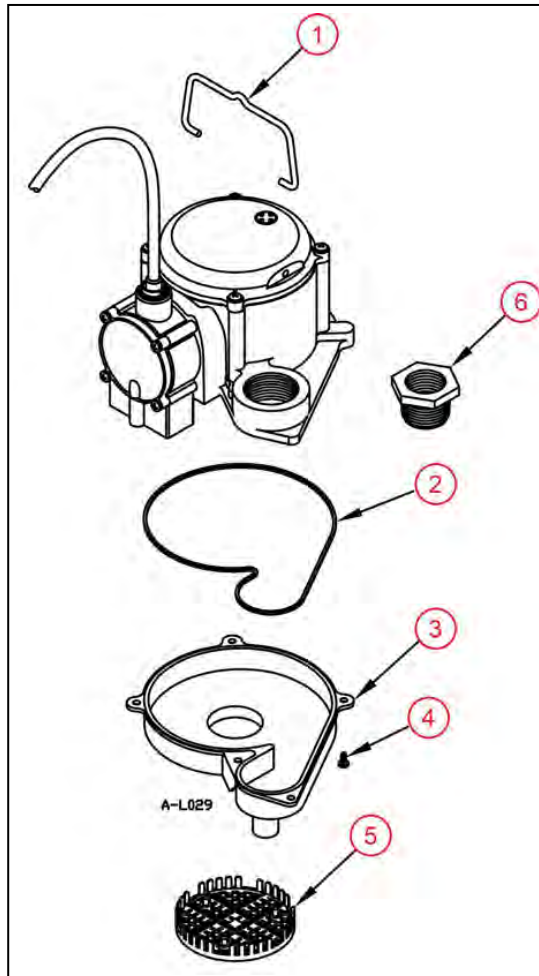
IMPORTANT: Do not use strong solvents on the impeller.

4. Be sure the impeller turns freely after cleaning.
5. Attach the base to the volute, making sure the seal is properly aligned.

Troubleshooting

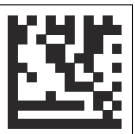
Problem	Probable Causes	Corrective Action
Pump does not turn on	Pump not connected to electrical power.	Connect pump to a dedicated circuit equipped with GFCI.
	Circuit breaker off or fuse removed.	Turn on circuit breaker or replace fuse.
	For models equipped with diaphragm switch: Breather tube kinked, pinched or blocked.	Confirm power cord is not kinked or pinched and confirm that breather tube end opening is not blocked.
	For models equipped with tethered float switch: Accumulation of trash or build-up on float.	Clean float.
	For models equipped with tethered float switch: Float obstruction.	Check float path and provide clearance.
	Defective switch.	Replace switch.
	Defective motor.	Replace pump.
Pump will not shut off	Float obstruction.	Check float path and provide clearance.
	Pump is air locked due to missing or clogged air relief hole.	If missing, drill an air relief hole as described in “Physical Installation” on page 6 . If clogged, clean obstruction from air relief.
	Liquid inflow matches pump capacity.	Larger pump required.
	For models equipped with diaphragm switch: Breather tube kinked, pinched or blocked.	Confirm power cord is not kinked or pinched and confirm that breather tube end opening is not blocked.
	Defective switch.	Replace switch.
Pump runs but does not discharge liquid	Check valve installed backwards.	Check flow indicating arrow on check valve body to ensure proper installation.
	Check valve stuck or plugged.	Remove check valve and inspect for proper operation.
	Lift too high for pump.	Check rated pump performance.
	Inlet to impeller plugged.	Pull pump and clean.
	Pump is air locked due to missing or clogged air relief hole.	If missing, drill an air relief hole as described in “Physical Installation” on page 6 . If clogged, clean obstruction from air relief.
Pump does not deliver rated capacity	Lift too high for pump.	Check rated pump performance.
	Low voltage, speed too slow.	Check that supply voltage matches the nameplate rating.
	Impeller or discharge pipe is clogged.	Pull pump and clean. Check pipe for scale or corrosion.
	Impeller wear due to abrasives.	Replace pump.
Pump cycles continuously	No check valve in long discharge pipe allowing liquid to drain back into basin.	Install a check valve in discharge line.
	Check valve leaking.	Inspect check valve for correct operation.
	Basin too small for inflow.	Install larger basin.
Water sprays out of a hole in the base of the unit.	This pump comes with a bleed hole that allows trapped air to escape from the pump, preventing air lock. Water spraying out of this hole is completely normal.	No corrective action is required.

Replacement Parts



Item	Description	Pump Model(s)	Kit Model	Order Number
1	Handle, Pump	All 6 Series Models	N/A	108101
2	Seal Ring			928004
3	Pump Base, Air Bleed	6-CIA, 6-CBA		106079
	Pump Base	6-CIM, 6-CIM-R, 6-CIA-RFS, 6-CBM		106181
4	6 Series Models Screw/Washer #10-24 x 1/2" set (QTY: 5)	All 6 Series Models		909021
5	Screen Intake			108482
6	AD-6 Adapter			599026
N/A	GH-3/4 Garden Hose Adapter	6-CIM, 6-CIM-R		599025
N/A	Switch Kit (pressure switch bracket assembly, screw, diaphragm, O-ring, and housing if applicable)	6-CIA and 6-CBA	SPRK-1*	599300
		6-CIA-ML (used in WRSC-6 package system)	SPRK-1-ML*	599310
		6-CIA and 6-CBA	SPRK-2	599320
		6-CIA-ML (used in WRSC-6 package system)	SPRK-2-ML	599314

***NOTE:** Switch kit includes housing.



For technical assistance, please contact:

800.701.7894 | littlegiant.com

993865 Rev.005 05/24

LittleGIANT®

Franklin Electric Co., Inc. | Oklahoma City, OK 73157-2010

Copyright © 2024, Franklin Electric, Co., Inc. All rights reserved.

MODELO 6 SERIES Bombas de sumidero

Manual del propietario

Indice

INSTALACIÓN	- - - - -	19
Instalación típica	- - - - -	19
Instalación física	- - - - -	20
Conexiones eléctricas	- - - - -	21
<i>Directrices para el cableado</i>	- - - - -	21
<i>Suministro de energía</i>	- - - - -	22
PRUEBA DE OPERACIÓN	- - - - -	23
Pruebas de funcionamiento de la bomba automática	- - - - -	23
<i>Prueba del interruptor de diafragma</i>	- - - - -	24
<i>Prueba del interruptor flotante</i>	- - - - -	24
Pruebas de funcionamiento de una bomba manual	- - - - -	25
MANTENIMIENTO	- - - - -	26
Servicio periódico	- - - - -	26
<i>Limpiar el impulsor y la voluta</i>	- - - - -	26
Solución de problemas	- - - - -	27
Piezas de repuesto	- - - - -	28



INSTRUCCIONES SOBRE SEGURIDAD

Mensajes de peligro

Este manual incluye precauciones de seguridad y otra información importante en los siguientes formatos:

▲ PELIGRO

Indica una situación inminentemente peligrosa que, de no evitarse, provocará una muerte o lesiones graves.

▲ ADVERTENCIA

Indica una situación potencialmente peligrosa que, de no evitarse, puede provocar una muerte o lesiones graves.

▲ PRECAUCIÓN

Indica una situación potencialmente peligrosa que, de no evitarse, puede provocar lesiones menores o moderadas.

AVISO

Indica una situación potencialmente peligrosa que, de no evitarse, puede provocar daños al equipo u otros bienes.

IMPORTANTE: Identifica información que controla el ensamblaje y la operación correctos del producto.

NOTA: Identifica información útil o aclaratoria.



Este símbolo alerta al usuario sobre la presencia de un voltaje peligroso dentro del producto que podría provocar lesiones o descargas eléctricas.



Este símbolo alerta al usuario sobre la presencia de superficies calientes que podrían provocar incendios o lesiones personales.

Antes de empezar

La instalación y el mantenimiento de este equipo deben estar a cargo de personal con capacitación técnica que esté familiarizado con la correcta elección y uso de las herramientas, equipos y procedimientos adecuados. El hecho de no cumplir con los códigos eléctricos nacionales y locales y con las recomendaciones de Red Lion puede provocar peligros de descarga eléctrica o incendio, desempeños insatisfactorios o fallas del equipo.

Conozca las aplicaciones del producto, sus limitaciones y sus peligros potenciales. Lea y siga las instrucciones cuidadosamente para evitar lesiones y daños materiales. No desarme ni repare la unidad salvo que esté descrito en este manual.

Consulte las placas de características del producto para obtener instrucciones de operación, precauciones y especificaciones adicionales.

El hecho de no seguir los procedimientos de instalación o operación y todos los códigos aplicables puede ocasionar los siguientes peligros:

▲ PELIGRO



Riesgo de muerte, lesiones personales o daños materiales por explosión, incendio o descarga eléctrica.

- No usar para bombear líquidos inflamables, combustibles o explosivos como gasolina, combustóleo, queroseno, etc.
- No usar en atmósferas explosivas ni lugares peligrosos según la clasificación de la NEC, ANSI/NFPA70.
- No manipule la bomba ni el motor de la bomba con las manos mojadas o parado sobre una superficie mojada o húmeda o en agua.
- Cuando haya una bomba en su aplicación, no toque el motor, las tuberías ni el agua sino hasta haber desenchufado o eléctricamente desconectado la unidad.
- Si la desconexión de alimentación está fuera del sitio, bloquéela en la posición abierta y etiquétela para evitar una conexión inesperada de la alimentación.
- Si no se tuviera acceso al panel de desconexión, comuníquese con la compañía eléctrica para interrumpir el servicio.

⚠️ ADVERTENCIA



Esta unidad tiene voltajes elevados que son capaces de provocar lesiones graves o muerte por descarga eléctrica.

- Para reducir el riesgo de descarga eléctrica, desconecte la energía antes de trabajar en el sistema o cerca de él. Es posible que sea necesario más de un interruptor de desconexión para cortar la energía del equipo antes de realizarle un mantenimiento.
- Este producto viene con un conductor a tierra y un enchufe con conexión a tierra. Para reducir el riesgo de descarga eléctrica, asegúrese que se conecte solo a un receptáculo del tipo con conexión a tierra que esté conectado apropiadamente a tierra. No retire la tercera punta del enchufe. La tercer punta es para conectar la bomba a tierra con el fin de evitar posibles peligros de descarga eléctrica. No use un cable de extensión.
- Asegúrese de que esta bomba esté conectada a un circuito equipado con un dispositivo interruptor de circuito por falla de conexión a tierra (GFIC).
- Cablee el sistema de bombeo para los voltajes correctos.

AVISO

Riesgo de daños a bomba u otros equipos.

- No use esta bomba para bombear agua de mar, bebidas, ácidos, soluciones químicas u otros líquidos que provoquen corrosión, ya que eso puede dañar la bomba.¹
- No haga funcionar vacía la bomba. Para una refrigeración óptima y prolongar la vida útil del motor, el nivel de líquido que se bombee debería estar comúnmente por encima de la parte superior de la carcasa de la bomba.
- Esta bomba no es apta para aplicaciones en estanques.

¹ Excepto los modelos CB

⚠️ PRECAUCIÓN



Riesgo de lesiones corporales, descargas eléctricas o daños al equipo.

- Este equipo no deben usarlo niños ni personas con capacidades físicas, sensoriales o mentales reducidas, ni aquellos que carezcan de experiencia y capacitación, salvo que estén bajo supervisión o instrucción. Los niños no podrán usar el equipo ni jugar con la unidad o en las cercanías inmediatas.
- El equipo puede encenderse en forma automática. Siempre desenchufe el cable eléctrico de la bomba y -desconecte la alimentación eléctrica antes de realizar el mantenimiento de la bomba o del interruptor. Realice los procedimientos de bloqueo/etiquetado antes de efectuar el mantenimiento del equipo.
- Una bomba que no funciona o funciona mal podría provocar una inundación y provocar lesiones personales o daños materiales.
- En aplicaciones donde una bomba no operativa o con fugas podría producir daños materiales o lesiones personales debido a interrupciones en el suministro eléctrico, obstrucciones en la línea de descarga u otros motivos, se debe instalar un sistema de respaldo automático y/o una alarma.
- No haga funcionar vacía la bomba. Si la hace funcionar vacía, la temperatura de la superficie de la bomba aumentará al punto que podría provocar quemaduras si se la toca y le causará serios daños a su bomba.
- La bomba únicamente ha sido evaluada para su uso con agua. La bomba solo se debe utilizar con líquidos compatibles con los materiales que componen la bomba. Si la bomba se utiliza con líquidos incompatibles con los componentes de la bomba, el líquido puede causar fallas en el sistema de aislamiento eléctrico, lo que resulta en una descarga eléctrica.
- No aplique aceite al motor. La carcasa del motor de la bomba está sellada, y contiene un aceite dieléctrico de primera calidad para ofrecer transferencia de calor y lubricación de por vida. El uso de otros aceites puede provocar descargas eléctricas graves o daños permanentes a la bomba.
- La operación de este equipo exige instrucciones detalladas para su instalación y operación que se encuentran en este manual para su uso con este producto. Lea la totalidad del manual antes de comenzar la instalación y la operación. El usuario final debe recibir y conservar el manual para usos futuros.
- Mantenga las etiquetas de seguridad limpias y en buenas condiciones.
- Mantenga el área de trabajo limpia, bien iluminada y ordenada.
- Use gafas de seguridad mientras realiza la instalación o el mantenimiento de la bomba.
- No use vestimenta suelta, joyas ni nada que pueda quedar atrapado en las piezas giratorias. Átese el cabello largo y quítese las joyas.

DESCRIPCIÓN DEL PRODUCTO

Modelos

DESCRIPCIÓN DEL PRODUCTO

Esta bomba sumergible está diseñada para uso en cuencas o estaciones de bombeo y es apta para bombear agua limpia. No use la bomba en aplicaciones donde haya efluentes (aguas residuales), aguas servidas u otro tipo de desechos (gravilla, arena, desechos flotantes, etc.), materiales abrasivos o materiales corrosivos. Las bombas del sumidero se pueden canalizar para descargar en el sistema de drenaje de la casa, a un pozo seco, a una canaleta o a un desagüe pluvial, según los códigos locales de plomería. La bomba viene con una descarga con rosca para tubería hembra de 1½" y un cojinete reductor de 1¼" FNPT. Estas bombas se encuentran disponibles en versiones tanto automática como manual.

El motor de la bomba está equipado con un protector térmico de reinicio automático y puede reiniciarse de manera inesperada. La activación del protector térmico indica que el motor está sobrecargado o sobrecalentado, lo cual puede deberse a problemas de la aplicación, como un impulsor obstruido de la bomba, un interruptor atascado en la posición de encendido, una marcha en seco de la bomba, una bomba obturada por aire, un ciclo corto de la bomba, una alimentación de voltaje excesivamente alta o baja, o bien una bomba, motor, cojinetes- o sello que tal vez hayan llegado al final de su vida útil.

Este producto está cubierto por una garantía limitada durante un período de 3 años desde la fecha original de compra por parte del consumidor. Para obtener información completa sobre la garantía, consulte www.LittleGiant.com; o llame el Apoyo de Cliente a una copia impresa.

Modelos

Modelo	Método de activación de la bomba	Voltaje	Amperios	HP	PSI
6-CIA	Automático con interruptor de diafragma	115 o 230*	15 o 10	1/3	7.8
6-CIM	Manual				
6-CIM-R					
6-CIM-RS	Automático con interruptor de diafragma- remoto	115	15		
6-CIA-RFS	Automático con interruptor flotante remoto				
6-CIA-ML	Automático con interruptor de diafragma				
6-CBA					
6-CBM	Manual				

* Las bombas no son de doble voltaje.

Las bombas manuales se pueden convertir al modo automático instalando un control de nivel del líquido por separado, por ejemplo un kit de interruptor remoto RS-5.

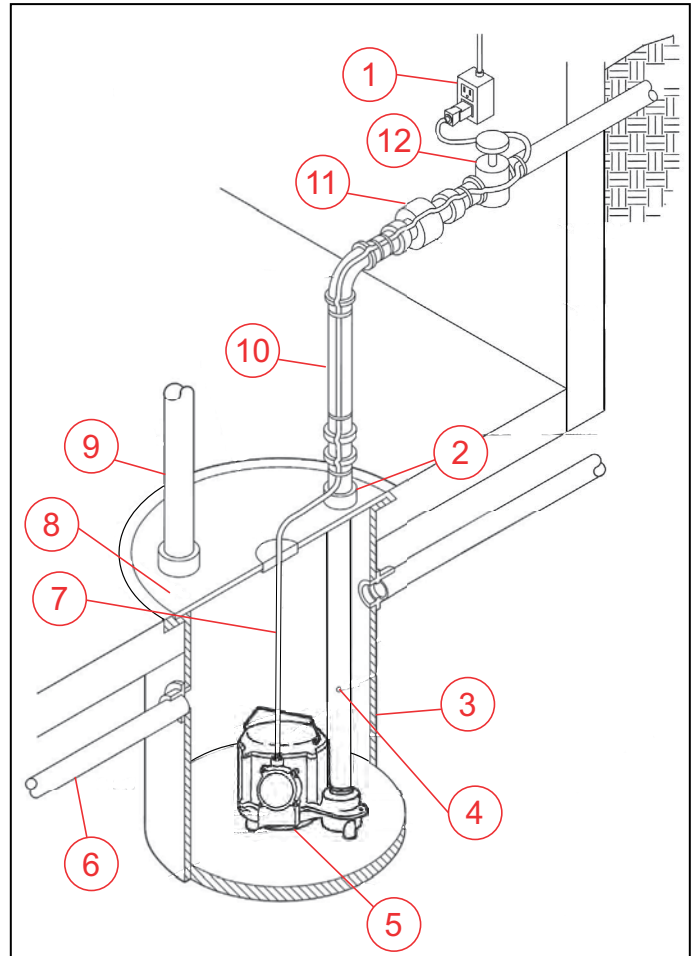
Tasas de flujo

Litros/Galones por minuto a altura			Apagado
1.5 m (5 pies)	3 m (10 pies)	4.5 m (15 pies)	
174 /46	110 / 29	47.3 / 12.5	5.5 m (18 pies)

INSTALACIÓN

Instalación típica

- 1 Toma de salida a por lo menos 4 pies (1.2 m) del nivel del fondo
- 2 Unión
- 3 Depósito impermeable a los gases
- 4 Orificio de purga de aire
- 5 Bomba
- 6 Toma
- 7 Cable eléctrico de la bomba
- 8 Cubierta de la cuenca
- 9 Ventilación de la cuenca
- 10 Descarga
- 11 Válvula de retención
- 12 Válvula de compuerta



Instalación física

⚠ ADVERTENCIA



Riesgo de lesiones graves o muerte por descarga eléctrica.

- Siempre desconecte la alimentación eléctrica antes de tocar la bomba o descargue.
- Verifique los códigos locales de electricidad y de edificación antes de la instalación. La instalación se debe llevar a cabo de acuerdo con las regulaciones, así como también con el Código Eléctrico Nacional vigente (National Electrical Code, NEC).

AVISO

Riesgo de daños materiales por inundaciones.

- A menos que se proporcione el orificio de alivio en la tubería de descarga, la bomba podría “bloquear el aire” y no bombeará agua, aunque sí funcionará.
- Una válvula de retención faltante, mal instalada o que funcione mal puede provocar que la bomba realice ciclos cortos debido al reflujo del fluido bombeado desde la tubería de descarga hacia la cuenca, lo que acortará significativamente la vida útil de la bomba.

1. Instale la bomba en el centro de un recipiente adecuado que tenga al menos 18 pulg. (46 cm) de diámetro y 24 pulg. (61 cm) de profundidad de acuerdo con los códigos locales de plomería.

NOTA: Los modelos con interruptor de diafragma pueden utilizarse en cuencas de 10 in (25.4 cm) de diámetro.

- Limpie los residuos del recipiente y coloque la bomba en el centro del recipiente
 - Consulte [“Instalación típica” en la página 19.](#)
2. Coloque el conjunto de la bomba y el depósito sobre una superficie dura y nivelada.
 - Nunca coloque la bomba directamente sobre arcilla, tierra o superficies de grava. Estas superficies contienen pequeñas piedras, gravas, arena, etc. que pueden obstruir o dañar la bomba y causar fallas en esta.
 - No restringir el lateral de acceso de estas bombas. Al restringir el acceso puede ocasionar daños en el sello y en la bomba.
 3. Instale la tubería de descarga.
 - Las tuberías de descarga deben ser lo más cortas posible y contener la menor cantidad de codos posible.
 - Nunca reduzca el tamaño de la tubería a un diámetro menor que el de descarga de la bomba.
 - Use un compuesto de unión de tubo en todas las conexiones.
 - Sostenga la bomba y la tubería durante el ensamblaje y cuando estén instaladas. Si esto no se realiza, la tubería se puede romper, la bomba puede tener fallas, los cojinetes del motor pueden tener fallas, etc.
 - Si requiere de velocidades de flujo reducidas, coloque una válvula en el lateral de descarga de la bomba. O bien, si se usan tuberías flexibles de vinilo, se puede usar una abrazadera en las tuberías para restringir el flujo.
 - Instale una unión en la línea de descarga, justo por encima de la cubierta del recipiente, para poder retirar fácilmente la bomba para limpiarla o repararla.
 4. Instale una válvula de retención de flujo total en la línea de descarga horizontalmente para prevenir el reflujo de líquido al depósito.
 - Si se instala verticalmente, los sólidos pueden asentarse dentro de la válvula y evitar que se abra durante el arranque.
 5. Perfore un orificio de alivio $\frac{1}{8}$ pulg. (0,31 cm) o $\frac{3}{16}$ pulg. (0,47 cm) de diámetro en la tubería de descarga debajo de la línea de piso entre la descarga de la bomba y la válvula de retención.

6. Fije los cables de la bomba y del interruptor a la tubería de descarga utilizando cinta aislante para mantener los cables de alimentación seguros y lejos de la entrada a la bomba y de cualquier flotante de control.

IMPORTANTE: Los modelos automáticos que utilizan un interruptor de diafragma incluyen un tubo de respiración que atraviesa el cable de alimentación. En los modelos con conexión permanente, este tubo se extiende más allá del extremo del cable. En los modelos con enchufe, el tubo está integrado al enchufe. Asegúrese de que el tubo no quede obstruido, pinzado o doblado durante la instalación.

7. Conecte la bomba a un suministro de energía adecuado. Consulte [“Conexiones eléctricas” en la página 21](#).
8. Pruebe la operación del sistema de bomba. Consulte [“Prueba de operación” en la página 23](#).

IMPORTANTE: No intente operar la bomba sin agua.

9. Coloque una cubierta sobre el recipiente. Esta cubierta ayudará a evitar que los residuos ingresen a la fosa y la protegerá de lesiones accidentales.

Conexiones eléctricas

⚠ ADVERTENCIA



Riesgo de lesiones graves o muerte por descarga eléctrica.

- Siempre desconecte la alimentación eléctrica antes de tocar la bomba o descarga.
- Algunas bombas vienen con cables conductores y están ideadas para que se conviertan en conexiones permanentes mediante una caja de empalmes u otro gabinete aprobado. Las bombas incluyen un conector de puesta a tierra. Para reducir el riesgo de descarga eléctrica, asegúrese de que esté conectado a tierra como corresponde.
- Algunas bombas vienen con un conector de puesta a tierra y un enchufe de seguridad de tipo de conexión a tierra. Para reducir el riesgo de descarga eléctrica, asegúrese que se conecte solo a un receptáculo del tipo con conexión a tierra que esté conectado apropiadamente a tierra. No retire la tercera punta del enchufe. La tercer punta es para conectar la bomba a tierra con el fin de evitar posibles peligros de descarga eléctrica. No use un cable de extensión.
- No quite la tercera clavija del enchufe, ni corte el enchufe separándolo del cable. Esto anulará la garantía.
- Revise los tomacorrientes con un analizador de circuito para garantizar que los cables de alimentación, neutro y a tierra estén conectados correctamente. De lo contrario, un electricista calificado y autorizado deberá rectificar el problema.
- El conjunto de cables recubiertos flexibles montado a la bomba no se debe modificar en modo alguno, salvo para acortar el cable para adecuarlo al interior del panel de control. Todos los empalmes entre la bomba y el panel de control deben realizarse dentro de una caja de conexiones montada fuera de la cuenca y deben cumplir con el Código Eléctrico Nacional.
- No use el cable eléctrico para levantar la bomba.
- No use extensiones eléctricas.

Directrices para el cableado

1. Consulte la etiqueta de la bomba para conocer el voltaje adecuado requerido.
2. Asegúrese de que la bomba esté conectada a un circuito que cuente con un interruptor de circuito por falla de conexión a tierra (GFCI, por si sigla en inglés) si lo requiere el eléctrico de su país.
 - No la conecte a un voltaje distinto al que figura.
 - La bomba se debe conectar o cablear en su propio circuito sin otras salidas o equipos en la línea de circuito.
 - Los fusibles y el disyuntor deben tener una capacidad amplia en el circuito eléctrico. Para conocer los valores de amperaje, consulte la placa de características y [“Descripción del producto” on page 18](#).

Suministro de energía

⚠️ ADVERTENCIA



Riesgo de lesiones graves o muerte por descarga eléctrica.

- En una instalación de cables directos de 230 V, un extremo de la línea que va hacia la bomba tiene electricidad siempre, sin importar si el interruptor del control de nivel del líquido está abierto o cerrado. Para evitar peligros a la hora de realizar la instalación o el mantenimiento, instale un interruptor de desconexión bipolar cerca de la instalación de la -bomba.
- Asegúrese de que el agua creciente no pueda alcanzar la conexión eléctrica. La caja de empalmes no debe ubicarse bajo ninguna circunstancia en un lugar que pueda inundarse o quedar sumergido.

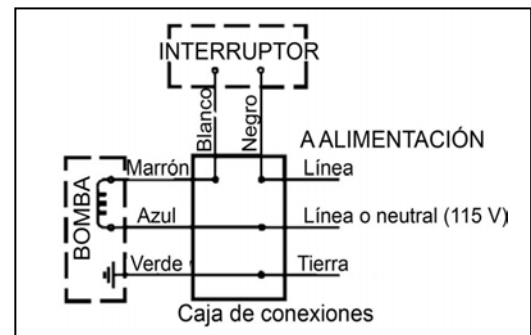
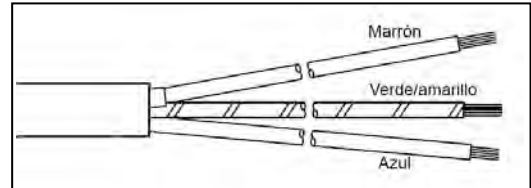
Modelos con cables con extremos pelados

Algunos modelos vienen con un extremo del cable pelado. Las conexiones de alimentación, como también los controles de nivel del líquido, deben realizarse dentro de una caja de empalmes montada fuera de la cuenca y deben cumplir con el Código Eléctrico Nacional. Emplee un electricista autorizado.

Los cables de alimentación siguen el siguiente código de colores:

Color	Tipo de cable
Verde (o verde/amarillo)	Conexión a tierra
Negro (o marrón)	Línea
Blanco (o azul)	Línea (230 V) o neutro (115 V)

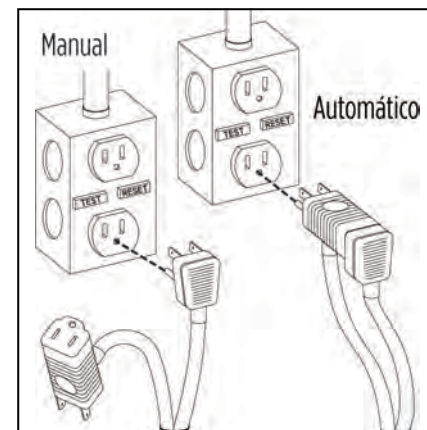
Para agregar un control de nivel del líquido a una bomba con conexión permanente, use el diagrama que aparece a la derecha.



Modelos de bomba automática

Las bombas equipadas con un interruptor de diafragma automático integrado incluyen un cable de alimentación maestro tanto para la bomba como para el interruptor. Enchufe el cable a un toma GFCI.

Los modelos con un interruptor flotante, o un interruptor de diafragma remoto, incluyen dos cables de alimentación con un enchufe piggyback en el cable del interruptor. Para una operación automática, enchufe el cable de la bomba al cable del interruptor. Enchufe el cable del interruptor (conectado al cable de la bomba) a un tomacorriente GFCI.



Modelos de bomba manual

Las bombas manuales se enchufan a un receptáculo GFCI dedicado y se controlan mediante el interruptor de alimentación o desenchufando el cable.

La operación manual y continua de la bomba se debe utilizar solo en caso de emergencia o cuando haya que bombear un gran volumen de agua. La bomba se debe monitorear permanentemente durante la operación manual y se debe desconectar de la alimentación antes de que funcione en vacío.

Las bombas manuales se pueden convertir al modo automático instalando un control de nivel del líquido por separado. Instálelo conforme a las instrucciones del fabricante.

PRUEBA DE OPERACIÓN

AVISO

Riesgo de daños a bomba u otros equipos.

- No intente hacer funcionar la bomba sin agua. Eso puede provocar daños permanentes a la bomba.
- Si hace funcionar vacía la bomba, puede dañarla y anular la garantía.

Si la unidad estará inactiva por un tiempo, siga las instrucciones de limpieza detalladas en [“Limpiar el impulsor y la voluta” en la página 26](#). No deje que la unidad se congele. Esto puede causar agrietamiento o deformación que, a su vez, puede destruir la unidad.

Pruebas de funcionamiento de la bomba automática

Las bombas modelo 6-CIA, 6-CIA-RS, y 6-CBA están equipadas con un interruptor de diafragma que opera equilibrando la presión del agua y del aire. El crecimiento del agua en la cuenca aplica presión sobre el diafragma, lo que activa el interruptor y enciende la bomba. Cuando el nivel de agua cae, la presión disminuye hasta que el interruptor de presión se desactiva y apaga la bomba. Para que el interruptor funcione correctamente, se ventila a la atmósfera mediante un tubo de respiración que atraviesa el cable de alimentación de la bomba. Es obligatorio que el aire fluya sin restricciones por el tubo de respiración.

La bomba modelo 6-CIA-RFS está equipada con un interruptor flotante remoto con un enchufe piggyback en el cable del interruptor. La bomba se debe enchufar al cable del interruptor piggyback para que opere en forma automática.

Cuando estas bombas se instalan en un recipiente con una cubierta sellada, la operación del interruptor no se puede observar. Por lo general, la cubierta del recipiente tendrá un orificio de repuesto que está conectado al enchufe de goma. Este enchufe se puede retirar y la operación del interruptor se puede observar.

Para probar la operación del sistema, siga estos pasos:

1. Conecte la bomba a una fuente de alimentación con el voltaje correcto. Consulte la placa de identificación de la bomba.
2. Si la línea de descarga tiene una válvula de compuerta, verifique que la válvula esté abierta.
3. Deje correr el agua hacia el recipiente hasta que la bomba se active. No intente hacer funcionar la bomba sin agua. Eso puede provocar daños permanentes a la bomba.
4. Confirme que la bomba y su interruptor de control estén funcionando correctamente.

NOTA: Si la bomba no se enciende, compruebe el interruptor. Consulte [“Prueba del interruptor de diafragma” en la página 24](#) o [“Prueba del interruptor flotante” en la página 24](#).

5. Confirme que los niveles de ENCENDIDO/APAGADO estén dentro de las especificaciones.
6. Confirme que no haya obstrucciones posibles que pudieran impedir el funcionamiento del interruptor.
7. Confirme que no haya fugas en las tuberías de descarga de la bomba ni en las tuberías de drenaje principales del hogar.

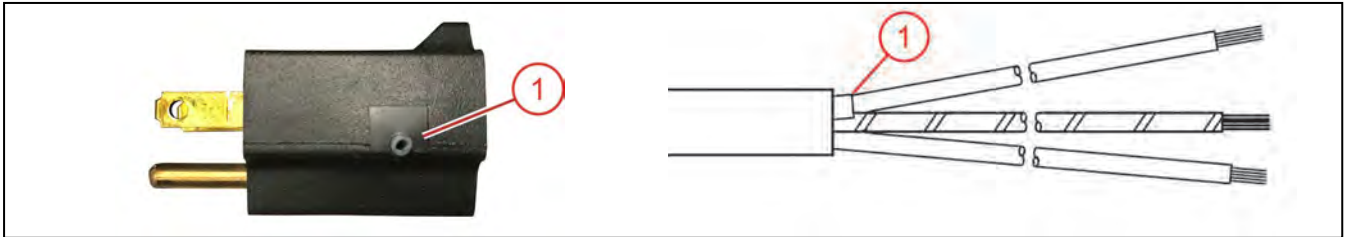
NOTA: Es normal que caiga un chorro de agua desde el orificio de purga del aire en la tubería de la bomba. También puede caer agua de un orificio en la base de la unidad. Compruebe que esa caída de agua quede atrapada dentro de la cuenca.

8. Deje que la bomba funcione a través de múltiples ciclos de encendido/apagado.

PRUEBA DE OPERACIÓN

Pruebas de funcionamiento de la bomba automática

Prueba del interruptor de diafragma



NOTA: Esta prueba se recomienda únicamente para bancos de prueba.

Para probar el funcionamiento del interruptor de diafragma sin sumergirlo en agua, se deberá aplicar succión (vacío) al extremo abierto del tubo de respiración (1) en el enchufe del cable de alimentación o el extremo pelado del cable de alimentación.

La succión se puede aplicar con una jeringa de pera (2).

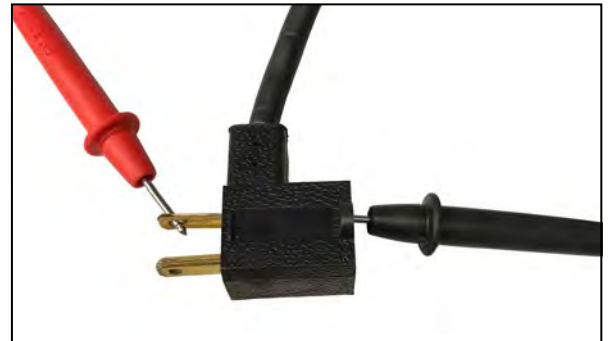
Esta succión hace que el diafragma del interruptor se absorba hacia dentro, de modo que se active el interruptor ubicado en el interior de la carcasa. Cuando se libera la jeringa, el diafragma vuelve a su posición original desactivando el interruptor ubicado en el interior de la carcasa.



1. Apriete la pera de la jeringa.
2. Introduzca el extremo pequeño en el tubo de respiración del cable de alimentación.
3. Libere la pera para provocar la succión/el vacío.
4. Escuche que el interruptor haga un clic.
5. Cuando la succión/el vacío se iguale, escuche para verificar que el interruptor de diafragma se libere.

Prueba del interruptor flotante

Los interruptores flotantes se pueden probar en un banco con un ohmímetro para comprobar la continuidad entre las conexiones de entrada y de salida del enchufe piggyback mientras hace subir y bajar el flotante.



Pruebas de funcionamiento de una bomba manual

⚠ PRECAUCIÓN

Riesgo de lesiones corporales o daños a bomba u otros equipos.

- La operación manual y continua de la bomba se debe utilizar solo en caso de emergencia o cuando haya que bombear un gran volumen de agua. La bomba se debe monitorear permanentemente durante la operación y se debe desconectar de la alimentación antes de que funcione en vacío.
- Si se instala un interruptor flotante accesorio u otro tipo de control de nivel del líquido, consulte las instrucciones del fabricante. El hecho de no instalar el dispositivo de control conforme a los códigos eléctricos y de tuberías tanto nacionales como locales y dentro de las recomendaciones del fabricante puede provocar peligros de descarga eléctrica o incendio, desempeños insatisfactorios o fallas del equipo.

Las bombas modelo 6-CIM, 6-CIM-R, y 6-CBM son bombas manuales.

Para un funcionamiento automático de la bomba manual, se debe usar un interruptor de flotadores por separado u otro control de nivel de líquido. Si se ha agregado un interruptor de flotador o un control de nivel, referirse a [“Pruebas de funcionamiento de la bomba automática” en la página 23](#) para la operación de prueba.

1. Conecte una manguera de descarga al orificio de descarga de la bomba.
2. Coloque la bomba en una cubeta o depósito de prueba.
3. Dirija el extremo opuesto de la manguera de descarga a la cubeta o depósito de prueba de manera que el agua descargada de la manguera durante las pruebas se contenga dentro de la cubeta o depósito de prueba.
 - Asegure la manguera para evitar que la presión de agua creada durante las pruebas cause que la manguera salga de la cubeta o del depósito de prueba.
4. Si hay una válvula en la manguera de descarga, asegúrese de que la válvula esté abierta.
5. Utilizando una fuente de agua separada, llene la cubeta o el depósito de prueba hasta que la bomba esté completamente sumergida.
 - No intente hacer funcionar la bomba sin agua. Eso puede provocar daños permanentes a la bomba.
 - No sobrellene la cubeta ni el depósito de prueba.
6. Si la bomba viene con un enchufe de seguridad en el cable de alimentación, enchufe el cable de alimentación de la bomba a un receptáculo con un interruptor de circuito por falla de conexión a tierra (GFCI, por si sigla en inglés) que tenga un voltaje -congruente con el voltaje de la bomba, como se indica en la placa de identificación de la bomba.
 - Si la bomba tiene una conexión permanente, encienda el disyuntor del circuito de alimentación de la bomba.
7. Confirme que la bomba esté funcionando según lo previsto.
8. Si la bomba no funciona como está previsto, desconecte la alimentación desde la bomba y consulte [“Solución de problemas” en la página 27](#). Si la solución aún no se encuentra, póngase en contacto con el lugar de compra o un centro de servicio autorizado.
9. Si la bomba funciona como está previsto, desconecte la alimentación desde la bomba antes de tratar de retirarla de la cuenca o el depósito de prueba.

MANTENIMIENTO

⚠️ ADVERTENCIA



Riesgo de lesiones graves o muerte por descarga eléctrica, temperaturas elevadas o líquidos presurizados.

- Siempre desenchufe el cable eléctrico de la bomba y desconecte la alimentación eléctrica antes de realizar el mantenimiento de la bomba o del interruptor.
- Deje que la bomba se enfríe al menos 2 horas antes de intentar realizare mantenimiento. Las bombas sumergibles contienen aceite que se presuriza y calienta en condiciones de operación normales.

AVISO

Riesgo de daños a bomba u otros equipos.

- Está unidad está lubricada permanentemente. No requiere que se le cargue aceite. No abra la sección sellada de la unidad ni quite los tornillos de la carcasa.
- No quite la cubierta de la carcasa del motor.
- No quite el impulsor. La garantía quedará anulada si se han quitado la cubierta de la carcasa del motor, el impulsor o los sellos. Las reparaciones al motor o el impulsor requieren herramientas especiales.

Servicio periódico

Inspeccione y pruebe el estado y el funcionamiento del sistema de la bomba cada 3 meses (con más frecuencia en aplicaciones de uso intensivo).

1. Verifique que no haya daños o corrosión en los cables de alimentación y en la salida eléctrica.

NOTA: El cable de alimentación en estas unidades no se puede reemplazar. En caso de daño, se debe reemplazar la unidad completa.

2. El cable de alimentación en estas unidades no se puede reemplazar. En caso de daño, se debe reemplazar la unidad completa.
3. Revise los componentes del sistema de la bomba (recipiente, bomba, interruptor, etc.) para detectar acumulaciones (lodo, sedimentos, minerales, etc.) que podrían impedir la funcionalidad de los componentes. Si es necesario, retire la acumulación o reemplace los componentes afectados.
4. Confirme que todas las abrazaderas flexibles de la manguera de acoplamiento estén completamente enroscadas con la tubería y firmemente ajustadas.
5. Pruebe la operación del sistema de la bomba. Referirse a [“Prueba de operación” en la página 23](#).
6. Mientras la bomba esté funcionando, asegúrese de que un chorro de agua salga por el orificio de respiración. De lo contrario, limpie el orificio y retire depósitos o residuos.

Limpiar el impulsor y la voluta

Al limpiar periódicamente las piezas de la bomba, se prolongará la vida útil y la eficiencia de la bomba. Consulte el ensamblaje y el desmontaje del cabezal de bombeo.

1. Desconecte la bomba de la fuente de alimentación. Retire la bomba de la tubería de descarga.
2. Retire los cinco tornillos que sostienen la base en la voluta y, luego, separe la base de la voluta. No quite la cubierta de la carcasa del motor.
3. Retire la base y limpie el impulsor y el pasaje de la voluta. No use solventes fuertes en el impulsor. No quite el impulsor.

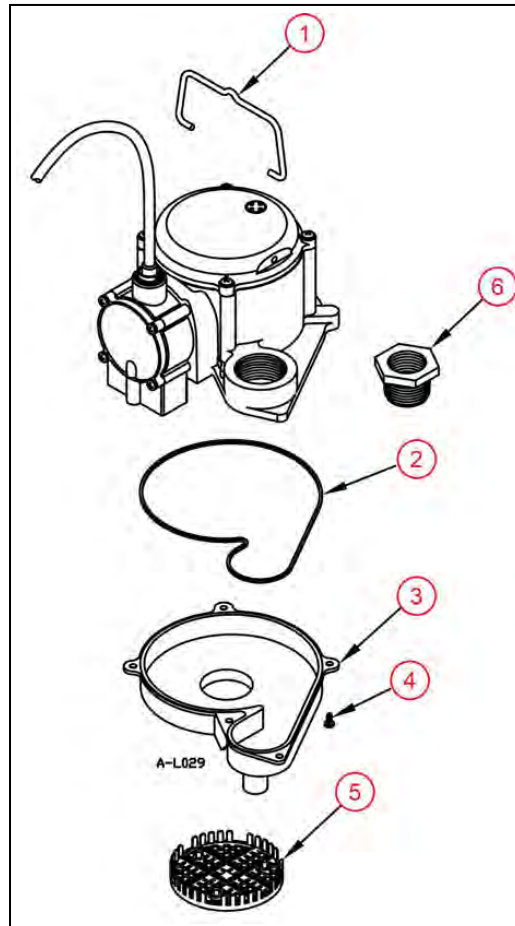
IMPORTANTE: No use solventes fuertes cuando limpie el impulsor.

4. Luego de la limpieza, asegúrese de que el impulsor gire libremente.
5. Conecte la base de la voluta, comprobando que el sello quede alineado correctamente.

Solución de problemas

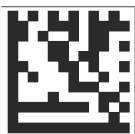
Problema	Causas probables	Acción correctiva
La bomba no se enciende	La bomba no está conectada al suministro eléctrico.	Conecte la bomba a un circuito dedicado que esté equipado con GFCI.
	Disyuntor apagado o sin fusible.	Encienda el disyuntor o reemplace el fusible.
	En el caso de modelos equipados con -interruptor de diafragma: Tubo de respiración doblado, pinzado o bloqueado.	Compruebe que el cable no esté doblado o pinzado, y revise que la abertura del tubo de respiración no esté bloqueada.
	En el caso de modelos equipados con interruptor flotante conectado: Acumulación de basura o residuos sobre el flotante.	Limpie el flotante.
	En el caso de modelos equipados con interruptor flotante conectado: Obstrucción del flotante.	Revise el recorrido del flotante y deje espacio libre.
	Interruptor defectuoso.	Reemplace el interruptor.
	Motor defectuoso.	Reemplace la bomba.
La bomba no se apaga	Obstrucción del flotante.	Revise el recorrido del flotante y deje espacio libre.
	La bomba está obturada por aire debido a la falta o la obstrucción de un orificio de ventilación.	Si falta, perfore un orificio de ventilación como se describe en "Instalación física" en la página 20 . Si está obstruido, quite la obstrucción del orificio de ventilación.
	El flujo de entrada de líquido coincide con la capacidad de la bomba.	Se requiere una bomba más grande.
	En el caso de modelos equipados con -interruptor de diafragma: Tubo de respiración doblado, pinzado o bloqueado.	Compruebe que el cable no esté doblado o pinzado, y revise que la abertura del tubo de respiración no esté bloqueada.
	Interruptor defectuoso.	Reemplace el interruptor.
La bomba funciona pero no descarga líquido	Válvula de retención instalada al revés.	Revise en el cuerpo de la válvula de retención la flecha que indica la dirección de flujo para garantizar que la instalación sea correcta.
	Válvula de retención atascada u obstruida.	Quite la válvula de retención y revísela para comprobar que funcione bien.
	Elevación demasiado alta para la bomba.	Revise el desempeño nominal de la bomba.
	Entrada al impulsor obstruido.	Quite la bomba y límpiela.
	La bomba está obturada por aire debido a la falta o la obstrucción de un orificio de ventilación.	Si falta, perfore un orificio de ventilación como se describe en -INSTALACIÓN . Si está obstruido, quite la obstrucción del orificio de ventilación.
La bomba no cumple con la capacidad nominal	Elevación demasiado alta para la bomba.	Revise el desempeño nominal de la bomba.
	Bajo voltaje, velocidad demasiado lenta.	Compruebe que el voltaje suministrado coincida con la capacidad nominal en la placa de identificación.
	El impulsor o la tubería de descarga están obstruidos.	Quite la bomba y límpiela. Revise si la tubería tiene sarro o señales de corrosión.
	Desgaste del impulsor causado por abrasivos.	Reemplace la bomba.
La bomba se enciende y se apaga continuamente.	Ausencia de válvula de retención en una tubería de descarga larga, lo que permite que el líquido vuelva a drenar hacia la cuenca.	Instale una válvula de retención en la línea de descarga.
	Fugas en la válvula de retención.	Inspeccione que la válvula de retención funcione correctamente.
	La cuenca es demasiado pequeña para el flujo de entrada.	Instale una cuenca más grande.
Sale agua de un orificio en la base de la unidad.	Esta bomba viene con un orificio de purga que permite la salida del agua atrapada de la bomba, lo que evita que quede obstruida por aire. La salida de agua por este orificio es completamente normal.	No se requiere ninguna acción correctiva.

Piezas de repuesto



Número de artículo	Descripción	Modelos de Bomba	Modelo de kit	Número de pedido	
1	Manija, Bomba	Todos los modelos	N/A	108101	
2	Anillo de sellado			928004	
3	Base de la bomba, Purga de aire	6-CIA y 6-CBA		106079	
	Base de la bomba	6-CIM, 6-CIM-R, 6-CIA-RFS y 6-CBM		106181	
4	6 Serie Tornillo/Arandela #10-24 x 1/2" (Cantidad: 5)	Todos los modelos		909021	
5	Malla de entrada			108482	
6	Adaptador AD-6	6-CIM y 6-CIM-R		599026	
	Adaptador para manguera de jardín GH-3/4			599025	
No se muestra	Kit de interruptores (Incluye conjunto de soporte de presostato, tornillo, diafragma, junta tórica y carcasa si está marcado)	6-CIA y 6-CBA		SPRK-1*	599300
		6-CIA-ML (utilizado en el sistema de paquetes WRSC-6)		SPRK-1-ML*	599310
		6-CIA y 6-CBA	SPRK-2	599320	
		6-CIA-ML (utilizado en el sistema de paquetes WRSC-6)	SPRK-2-ML	599314	

***NOTA:** El kit de interruptor incluye carcasa.



Para la ayuda técnica, por favor póngase en contacto:

800.701.7894 | **littlegiant.com**

993865 Rev. 005 05/24

LittleGIANT®

Franklin Electric Co., Inc. | Oklahoma City, OK 73157-2010

Copyright © 2024, Franklin Electric, Co., Inc. Todos los derechos reservados.

SÉRIE MODÈLE 6 Pompes de puisard

Manuel du propriétaire



Table des matières

INSTALLATION - - - - -	-33
Installation typique - - - - -	-33
Installation physique - - - - -	34
Branchements électriques - - - - -	-35
<i>Consignes pour le câblage</i> - - - - -	35
<i>Alimentation</i> - - - - -	36
TEST DE FONCTIONNEMENT - - - - -	-37
Test de fonctionnement de pompe automatique -37	
<i>Test de l'interrupteur à diaphragme</i> - - - -	38
<i>Test de l'interrupteur à flotteur</i> - - - - -	38
Test de fonctionnement de pompe manuelle - -	-38
ENTRETIEN - - - - -	39
Service périodique - - - - -	39
<i>Nettoyage de l'impulseur et de la volute</i> -	40
Dépannage - - - - -	-41
Pièces de rechange - - - - -	42

CONSIGNES DE SÉCURITÉ

Messages d'avertissement

Ce manuel comporte des précautions de sécurité et d'autres informations importantes dans les formats suivants:

▲ DANGER

Indique une situation dangereuse imminente qui, si elle n'est pas évitée, entraînera la mort ou des blessures graves.

▲ AVERTISSEMENT

Indique une situation dangereuse potentielle qui, si elle n'est pas évitée, peut entraîner des blessures graves ou la mort.

▲ ATTENTION

Indique une situation dangereuse potentielle qui, si elle n'est pas évitée, peut entraîner des blessures légères à modérées.

AVIS

Indique une situation dangereuse potentielle qui, si elle n'est pas évitée, peut entraîner l'endommagement de l'équipement ou d'autres dégâts matériels.

IMPORTANT : Identifie une information qui détermine le bon assemblage et la bonne utilisation du produit.

REMARQUE : Identifie une information fournissant des précisions utiles ou clarifiant un point.



Ce symbole alerte l'utilisateur de la présence d'une tension électrique dangereuse dans le produit susceptible d'entraîner des blessures ou un choc électrique.



Ce symbole alerte l'utilisateur de la présence de surfaces chaudes pouvant entraîner un incendie ou des blessures.

Avant de commencer

Cet équipement doit être installé et entretenu par des techniciens qualifiés capables de choisir et d'utiliser les outils, les équipements et les procédures appropriés. Le non-respect des codes électriques et codes de plomberie local et national et des recommandations de Franklin Electric pourrait mener à une électrocution ou un incendie, une mauvaise performance ou une défaillance de l'équipement.

Renseignez-vous sur l'application, les limitations et les risques potentiels du produit. Lisez et suivez attentivement les instructions pour éviter toute blessure ou tout dommage matériel. Ne démontez pas et ne réparez pas l'appareil si ces opérations ne sont pas décrites dans le présent manuel.

Consulter la plaque signalétique du produit pour obtenir des instructions et des spécifications de fonctionnement supplémentaires.

Le non-respect des procédures d'installation ou d'utilisation et de tous les codes en vigueur peut entraîner les risques suivants:

▲ DANGER



Risque de mort, de blessure corporelle ou de dommage matériel en raison d'une explosion, d'un incendie ou d'une électrocution.

- Ne pas utiliser pour pomper des liquides inflammables, combustibles ou explosifs comme l'essence, le mazout, le kérosène, etc.
- Ne pas utiliser dans une atmosphère explosive ou un emplacement dangereux selon le Code national de l'électricité, ANSI/NFPA70.
- Ne pas manipuler une pompe ou un moteur de pompe avec les mains mouillées ou debout sur une surface humide ou mouillée, ou dans de l'eau.
- Lorsqu'une pompe est en mode de fonctionnement, ne pas toucher le moteur, les tuyaux ou l'eau tant que l'unité n'a pas été débranchée ou déconnectée électriquement.
- Si le dispositif de coupure du circuit d'alimentation se situe hors site, le verrouiller en position ouverte et le consigner afin d'empêcher toute mise sous tension inopinée.
- Si le panneau du disjoncteur n'est pas accessible, contacter la compagnie d'électricité afin que le courant soit coupé.

⚠ AVERTISSEMENT



Cet appareil contient des tensions élevées susceptibles d'entraîner par choc électrique des blessures graves ou la mort.

- Pour réduire le risque de choc électrique, débranchez l'alimentation avant de travailler sur le système ou autour de celui-ci. Plusieurs interrupteurs d'isolement peuvent être nécessaires pour décharger l'équipement avant de procéder à son entretien.
- Ce produit est fourni avec un conducteur de mise à la terre et une fiche munie d'une attache de mise à la terre. Pour réduire le risque de décharge électrique, assurez-vous de seulement brancher la pompe à une prise électrique correctement mise à la terre. Ne retirez pas la troisième branche de la fiche. La troisième branche sert à la mise à la terre de la pompe, afin de prévenir tout risque possible de décharge électrique. N'utilisez pas un cordon de rallonge.
- Assurez-vous que cette pompe est raccordée à un circuit doté d'un disjoncteur différentiel de fuite à la terre (DDFT).
- Raccorder le système de pompe en respectant la tension indiquée.

AVIS

Risque de dommages à la pompe ou d'autres équipements.

- Ne pas utiliser la pompe pour pomper de l'eau de mer, des boissons, de l'acide, des solutions chimiques ou tout autre liquide qui favoriserait la corrosion, ce qui pourrait endommager la pompe.¹
- Ne pas faire tourner la pompe à sec. Pour obtenir un refroidissement optimal et pour prolonger la durée de vie de la pompe, le niveau de liquide pompé doit normalement dépasser le dessus du boîtier de la pompe.
- Cette pompe n'est pas prévue pour être utilisée dans un étang.

¹ Sauf modèles CB

⚠ ATTENTION



Risque de blessure, de choc électrique ou de dégâts matériels.

- Cet équipement ne doit pas être utilisé par des enfants ou des personnes aux capacités physiques, sensorielles ou cognitives réduites, ou par des personnes n'ayant pas l'expérience ou l'expertise appropriée, sauf si ces personnes sont supervisées ou ont reçu des instructions à cet effet. Les enfants ne doivent pas utiliser l'équipement ni jouer avec l'appareil ou dans sa proximité immédiate.
- L'équipement peut démarrer automatiquement. Débranchez toujours le cordon d'alimentation de la pompe et coupez l'alimentation électrique avant d'entretenir la pompe ou l'interrupteur. Consignez l'équipement avant de procéder à son entretien.
- Une pompe inopérante ou défectueuse pourrait entraîner une inondation, des blessures corporelles ou des dommages matériels.
- Dans les applications où des dommages matériels et/ou des blessures corporelles pourraient découler du non-fonctionnement ou d'une fuite de la pompe en raison de pannes de courant, d'une obstruction de la ligne d'évacuation ou de toute autre raison, un système de sauvegarde automatique et/ou une alarme doivent être installés.
- Ne pas faire fonctionner la pompe à sec. En cas de fonctionnement à sec, la température à la surface de la pompe augmentera à un niveau susceptible de causer des brûlures cutanées en cas de contact et entraînera de graves dommages à votre pompe.
- La pompe a été évaluée pour être utilisée avec de l'eau uniquement. La pompe doit être utilisée uniquement avec des liquides compatibles avec les matériaux de ses composants. Si la pompe est utilisée avec des liquides incompatibles avec les composants de la pompe, le liquide peut provoquer une défaillance du système d'isolation électrique entraînant un choc électrique.
- Ne pas graisser le moteur. Le carter moteur de la pompe est scellé et renferme une huile diélectrique de qualité supérieure pour la transmission de chaleur et la lubrification à vie. L'utilisation d'autres huiles peut causer de graves électrocutions et/ou des dommages permanents de la pompe.
- L'utilisation de cet équipement nécessite les instructions d'installation et d'utilisation détaillées fournies dans le présent manuel à utiliser avec ce produit. Lisez le manuel intégralement avant de procéder à l'installation et à l'utilisation du produit. L'utilisateur final doit recevoir et conserver le manuel pour consultation ultérieure.
- Garder les étiquettes de sécurité propres et en bon état.
- Garder la zone de travail propre, bien éclairée et dégagée.
- Porter des lunettes de sécurité lors de l'installation ou de l'entretien de la pompe.
- Ne pas porter de vêtements amples, de bijoux ou tout autre accessoire qui pourrait se prendre dans les pièces mobiles de l'équipement. Attacher les cheveux longs et retirer les bijoux.

DESCRIPTION DU PRODUIT

Modèles

DESCRIPTION DU PRODUIT

Cette pompe immergée est prévue pour être utilisée dans des bassins ou des stations de relèvement. Elle peut être utilisée pour pomper de l'eau claire. N'utilisez pas cette pompe dans des applications où des effluents (eaux ménagères), des eaux usées ou d'autres débris (gravier, sable, débris flottants, etc.), des abrasifs ou des matières corrosives sont présents. La pompe est fournie avec un tuyau de refoulement à filetage femelle de 38,1 mm (1½ po) et un raccord réduction FNPT de 31,75 mm (1¼ po). Ces pompes sont disponibles dans des versions automatique et manuelle.

Le moteur de la pompe est doté d'un disjoncteur thermique à réenclenchement automatique et peut redémarrer inopinément. Le déclenchement du disjoncteur thermique indique une surcharge ou une surchauffe du moteur, qui peut être causée par des problèmes d'application comme l'obstruction d'une roue de la pompe, le blocage de l'interrupteur en position ON, le fonctionnement à sec de la pompe, le blocage de la pompe par de l'air, le fonctionnement de la pompe en cycles courts, une tension d'alimentation trop élevée ou trop basse, ou, éventuellement, une pompe, un moteur, des roulements ou un joint ayant atteint la fin de sa/leur vie utile.

Ce produit est couvert par une garantie limitée pour une période de 3 ans à compter de la date d'achat initial par le consommateur. Pour obtenir de plus amples renseignements sur la garantie, consultez www.LittleGiant.com; ou appelez le Soutien de Client en faveur d'une copie imprimée.

Modèles

Modèle	Méthode d'activation de la pompe	CH	PSI	Tension	Ampères
6-CIA	Automatique avec interrupteur à diaphragme	½	7,8	115 ou 230*	15 ou 10
6-CIM	Manuelle				
6-CIM-R					
6-CIM-RS	Automatique avec interrupteur à diaphragme à distance				
6-CIA-RFS	Automatique avec interrupteur à flotteur à distance				
6-CIA-ML	Automatique avec interrupteur à diaphragme				
6-CBA					
6-CBM				Manuelle	

* Il ne s'agit pas de pompes à double tension.

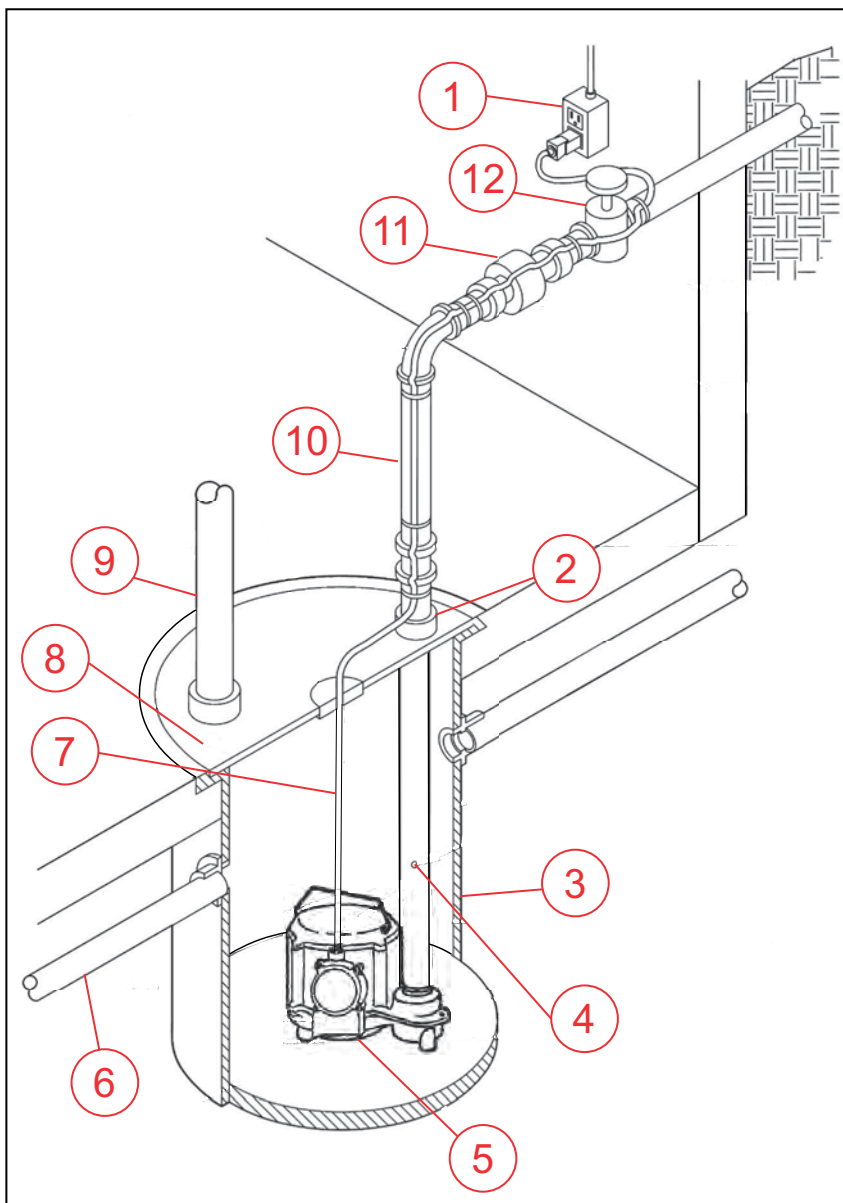
Il est possible de convertir les pompes manuelles au mode automatique en installant un dispositif de contrôle du niveau de liquide séparé tel qu'un ensemble d'interrupteur à distance RS-5.

Débits

Litres/Gallons par minute			Éteindre
1,5 m (5 pi)	3 m (10 pi)	4,5 m (15 pi)	
174 / 46	110 / 29	47,3 / 12,5	5,5 m (18 pi)

INSTALLATION

Installation typique



- | | | | | | |
|---|---|---|-----------------------------------|----|----------------------|
| 1 | Prise de courant un minimum de 4 pi. (1,2 m) au-dessus du niveau du sol | 5 | Pompe | 10 | Refoulement |
| 2 | Raccord | 6 | Toma | 11 | Clapet antiretour |
| 3 | Bassin étanche aux gaz | 7 | Cordon d'alimentation de la pompe | 12 | Válvula de compuerta |
| 4 | Orifice de prise d'air | 8 | Couvercle de la cuvette | | |
| | | 9 | Ventilation de la cuvette | | |

Installation physique

⚠ AVERTISSEMENT



Risque de blessure grave ou de mort par électrocution.

- Débranchez toujours l'alimentation électrique avant de toucher à la pompe ou au refoulement.
- Avant l'installation, vérifiez les codes locaux de l'électricité et du bâtiment. L'installation doit respecter leur réglementation, de même que le plus récent Code national de l'électricité (CNE).

AVIS

Risque de dommages matériels dus aux inondations.

- Si un orifice de sûreté n'est pas percé dans le tuyau de refoulement, la pompe peut être « bloquée par de l'air » et ne pas pomper d'eau, même si elle est en marche.
- Une soupape antiretour manquante, mal installée ou défectueuse peut entraîner un cycle court de la pompe en raison du retour du liquide pompé entre la structure d'évacuation et le bassin, réduisant considérablement la durée de vie de la pompe.

1. Installez la pompe au centre d'un bassin approprié d'au moins 18 po (45,7 cm) de diamètre et 24 po (61,0 cm) de profondeur conformément aux codes locaux de plomberie.
REMARQUE: Les modèles de commutateur à membrane peuvent être utilisés dans des bassins de 10 pouces de diamètre.
 - Enlevez tout débris dans le bassin.
 - Consultez « [Installation typique](#) » page 33.
2. Placez l'ensemble pompe-bassin sur une surface dure et plane.
 - Ne placez jamais la pompe directement sur une surface d'argile, de terre ou de gravier. Ces surfaces comportent de petites roches, du gravier, du sable, etc., qui peuvent obstruer ou endommager la pompe et provoquer sa défaillance.
 - Ne restreindre pas le côté prise de ces pompes. La restriction de la prise peut endommager le joint d'étanchéité et sous-alimenter la pompe.
3. Installez la tuyauterie de refoulement.
 - Le tuyau de refoulement doit être aussi court que possible et comporter le moins de coudes possible.
 - N'utilisez pas de tuyauterie plus petite que le refoulement de la pompe.
 - Utilisez une pâte à joint de tuyau sur toutes les connexions.
 - Soutenez la pompe et la tuyauterie au cours de l'assemblage et de l'installation. Un manquement pourrait entraîner la rupture des tuyaux, la défaillance de la pompe, la défaillance des paliers du moteur, etc.
 - S'il est nécessaire de réduire les débits, une soupape peut être installée sur le côté refoulement de la pompe. Ou si un tuyau flexible en vinyle est utilisé, une bride peut être utilisée sur le tuyau pour restreindre le débit.
 - Installez un raccord union dans le conduit de refoulement, juste au-dessus du couvercle de bassin, afin de permettre le retrait facile de la pompe à des fins de nettoyage ou de réparation.
4. Installez un clapet anti-retour à plein débit dans la tuyauterie de refoulement horizontalement pour empêcher le reflux de liquide dans le bassin.
 - Avec une installation à la verticale, les solides peuvent se déposer dans le et l'empêcher de s'ouvrir au démarrage.
5. Percez un orifice de sûreté (de $\frac{1}{8}$ po ou $\frac{3}{16}$ po [3,2 mm ou 4,8 mm] de diamètre) dans le tuyau de refoulement situé sous le niveau du plancher entre le refoulement de la pompe et le clapet anti-retour.

6. Appelez du ruban isolant sur la pompe et les cordons de l'interrupteur au niveau du tuyau de refoulement de sorte que les cordons d'alimentation soient suffisamment éloignés de l'entrée de la pompe et des flotteurs de contrôle.

IMPORTANT : Les modèles automatiques utilisant un interrupteur à diaphragme sont équipés d'un tube reniflard qui passe dans le cordon d'alimentation. Sur les modèles dotés d'une connexion câblée, ce tube s'étend depuis l'extrémité du cordon. Sur les modèles dotés d'un bouchon, le tube est intégré au bouchon. Assurez-vous que le tube n'est pas obstrué, pincé ou plié lors de l'installation.

7. Raccordez la pompe à une alimentation appropriée. Consultez [« Branchements électriques » page 35](#).
8. Testez le fonctionnement. Consultez [« Test de fonctionnement » page 37](#).

IMPORTANT : Ne tentez pas de faire fonctionner la pompe sans eau.

9. Placez le couvercle par-dessus le bassin. Ce couvercle aide à empêcher des débris d'entrer dans le bassin et protège contre les blessures accidentelles.

Branchements électriques

⚠ AVERTISSEMENT



Risque de blessure grave ou de mort par électrocution.

- Débranchez toujours l'alimentation électrique avant de toucher à la pompe ou au refoulement.
- Certaines pompes sont fournies avec des fils conducteurs et sont destinées à être câblées avec une boîte de jonction ou un autre boîtier approuvé. Les pompes sont équipées d'un connecteur de mise à la terre. Pour réduire le risque de décharge électrique, assurez-vous qu'il est correctement raccordé à la terre.
- Certaines pompes sont fournies avec un conducteur de mise à la terre et d'une fiche de branchement de type mise à la terre. Pour réduire le risque de décharge électrique, assurez-vous de seulement brancher la pompe à une prise électrique correctement mise à la terre. Ne retirez pas la troisième branche de la fiche. La troisième branche sert à la mise à la terre de la pompe, afin de prévenir tout risque possible de décharge électrique. N'utilisez pas un cordon de rallonge.
- Ne pas retirer la troisième broche de la fiche d'alimentation électrique ni couper la fiche du cordon. Ces actions annuleront la garantie.
- Vérifier les prises électriques à l'aide d'un analyseur de circuit pour s'assurer que les fils de phase, de neutre et de terre sont correctement branchés. Si ce n'est pas le cas, le problème doit être corrigé par un électricien qualifié agréé.
- Le cordon flexible enveloppé monté sur la pompe ne peut être modifié d'aucune manière que ce soit. Il peut uniquement être raccourci si cela est nécessaire pour le faire rentrer dans le panneau de commande. Toute épissure entre la pompe et le panneau de commande doit être réalisée dans une boîte de jonction montée à l'extérieur du bassin, en conformité avec le code national de l'électricité.
- Ne pas soulever la pompe à l'aide du cordon électrique.
- Ne pas utiliser de rallonge.

Consignes pour le câblage

1. Vérifiez l'étiquette de la pompe pour la tension appropriée requise. Ne branchez pas à une tension autre que celle indiquée.
2. Assurez-vous que cette pompe est raccordée à un circuit doté d'un disjoncteur différentiel de fuite à la terre (DDFT) si requis par le code.
 - Ne branchez pas à une tension autre que celle indiquée.
 - La pompe doit être connectée ou branchée sur son propre circuit, sans autre prise ou équipement sur la ligne du circuit.
 - Les fusibles et les disjoncteurs doivent être d'une capacité suffisante dans le circuit électrique. Pour les ampérages, consultez la plaque signalétique et ["Description du produit" on page 32](#).

Alimentation

⚠️ AVERTISSEMENT



Risque de blessure grave ou de mort par électrocution.

- Lors d'un câble direct de 230 V, un côté de la ligne reliée à la pompe est toujours alimenté électriquement, que l'interrupteur de contrôle du niveau de liquide soit ouvert ou fermé. Afin de prévenir tout risque lors de l'installation ou de l'entretien, installez un dispositif de découplage bipolaire à proximité de l'installation de la pompe.
- Assurez-vous que les branchements électriques ne peuvent pas être en contact avec l'eau si son niveau augmente. La boîte de jonction ne doit en aucun cas être placée à un endroit où elle pourrait être submergée par l'eau.

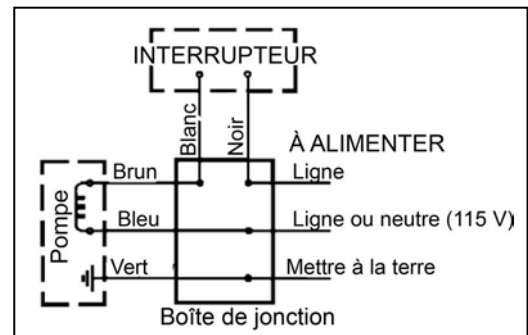
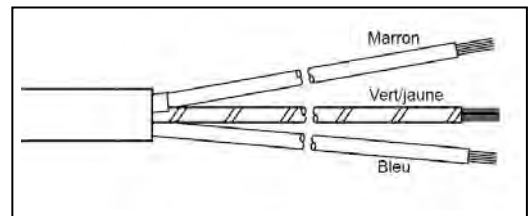
Modèles dotés de fils aux extrémités dénudées

Certains modèles sont fournis avec des fils aux extrémités dénudées. Les connexions d'alimentation, ainsi que tout dispositif de contrôle du niveau de liquide, doivent être réalisées/installés dans une boîte de jonction montée à l'extérieur du bassin, en conformité avec le code national de l'électricité. Faites appel à un électricien agréé.

Le code de couleurs suivant est utilisé pour les cordons d'alimentation :

Couleur	Type de fil
Vert (ou vert/jaune)	terre
Noir (ou marron)	ligne
Blanc (ou bleu)	ligne (230 V) ou neutre (115 V)

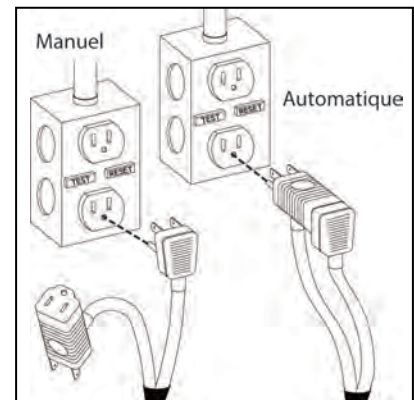
Pour ajouter un dispositif de contrôle du niveau de liquide à une pompe câblée, utilisez le schéma de droite.



Modèles de pompes automatiques

Les pompes dotées d'un interrupteur à diaphragme automatique intégré possèdent un cordon d'alimentation principal pour la pompe et l'interrupteur. Branchez le cordon à une prise DDFT.

Les modèles dotés d'un interrupteur à flotteur ou d'un interrupteur à diaphragme à distance possèdent deux cordons d'alimentation avec une fiche gigogne sur le cordon de l'interrupteur. Pour un fonctionnement automatique, branchez le cordon de la pompe dans le cordon de l'interrupteur. Branchez le cordon de l'interrupteur (avec le cordon de la pompe raccordé) dans une prise DDFT.



Modèles de pompes manuelles

Les pompes manuelles sont branchées dans un réceptacle DDFT dédié et commandées en commutant l'alimentation ou en débranchant le cordon.

Il convient de faire fonctionner la pompe en mode manuel et continu seulement en cas d'urgence ou lorsqu'un volume d'eau important doit être pompé. La pompe doit être surveillée en permanence pendant son fonctionnement manuel et débranchée du circuit électrique avant qu'elle ne tourne à sec.

Il est possible de convertir les pompes manuelles au mode automatique en installant un dispositif de contrôle du niveau de liquide séparé. Réalisez l'installation conformément aux instructions du fabricant.

TEST DE FONCTIONNEMENT

AVIS

Risque de dommages à la pompe ou d'autres équipements.

- Ne pas essayer de faire fonctionner la pompe sans eau, au risque de l'endommager définitivement.
- Le fonctionnement à sec de la pompe peut endommager celle-ci et annuler la garantie.

Si l'unité doit être laissée inutilisée pendant une certaine période, suivez les instructions de nettoyage à [« Nettoyage de l'impulseur et de la volute » page 40](#). Ne laissez pas l'unité geler. Cela peut causer des fissures ou des distorsions qui peuvent détruire l'unité.

Test de fonctionnement de pompe automatique

Les modèles de pompes 6-CIA, 6-CIA-RS, et 6-CBA sont équipés d'un interrupteur à diaphragme qui fonctionne en équilibrant les niveaux de l'eau et de la pression de l'air. La montée du niveau d'eau dans le bassin exerce une pression sur le diaphragme qui active l'interrupteur, mettant ainsi la pompe en marche. Lorsque le niveau de l'eau baisse, la pression diminue jusqu'à la désactivation de l'interrupteur, éteignant ainsi la pompe. Pour que l'interrupteur fonctionne correctement, il est aéré à l'atmosphère grâce à un tube reniflard passant dans le cordon d'alimentation de la pompe. Une aération non restrictive est nécessaire dans le tube reniflard.

Le modèle de pompe 6-CIA-RFS est équipé d'un interrupteur à flotteur à distance avec une fiche gigogne sur le cordon de l'interrupteur. La pompe doit être branchée dans le cordon de la fiche gigogne pour un fonctionnement automatique.

Lorsque ces pompes sont installées dans un bassin avec un couvercle scellé, le fonctionnement de l'interrupteur ne peut pas être observé. Le couvercle de bassin comporte habituellement un trou de recharge qui peut être bouché avec un bouchon en caoutchouc. Ce bouchon peut être retiré pour observer le fonctionnement de l'interrupteur.

Pour tester le fonctionnement du système, procéder comme suit :

1. Raccordez la pompe à une alimentation avec une tension correct. Consultez la plaque signalétique de la pompe.
2. Si la ligne d'évacuation est dotée d'un robinet-vanne, assurez-vous que le robinet est ouvert.
3. Faites couler de l'eau dans le bassin jusqu'à ce que la pompe principale démarre. Ne pas essayer de faire fonctionner la pompe sans eau, au risque de l'endommager définitivement.
4. Confirmez que la pompe et son interrupteur de commande fonctionnent comme ils le devraient.

REMARQUE : Si la pompe ne se met pas en marche, testez l'interrupteur. Consultez [« Test de l'interrupteur à diaphragme » page 38](#) ou [« Test de l'interrupteur à flotteur » page 38](#).

5. Assurez-vous que les niveaux MARCHE-ARRÊT sont conformes aux spécifications
6. Assurez-vous qu'aucune obstruction éventuelle n'est susceptible d'entraver le fonctionnement de l'interrupteur.
7. Confirmez l'absence de toute fuite dans la plomberie de refoulement de la pompe et dans le tuyau de drainage principal de la maison.

REMARQUE : Il est normal que de l'eau jaillisse de l'orifice d'admission d'air dans la plomberie de la pompe. L'eau jaillit également d'un orifice à la base de l'unité. Assurez-vous que ce jet est recueilli dans le bassin.

8. Laissez la pompe fonctionner pendant plusieurs cycles de marche/arrêt.

TEST DE FONCTIONNEMENT

Test de fonctionnement de pompe manuelle

Test de l'interrupteur à diaphragme



REMARQUE : Ce test est recommandé pour les essais au banc uniquement.

Pour vous assurer du bon fonctionnement de l'interrupteur à diaphragme sans l'immerger dans l'eau, l'aspiration (à vide) doit être appliquée à l'extrémité ouverte du tube renflard au niveau de la fiche du cordon d'alimentation ou à l'extrémité dénudée du cordon d'alimentation.

L'aspiration peut être appliquée à l'aide d'une seringue à poire d'aspiration.

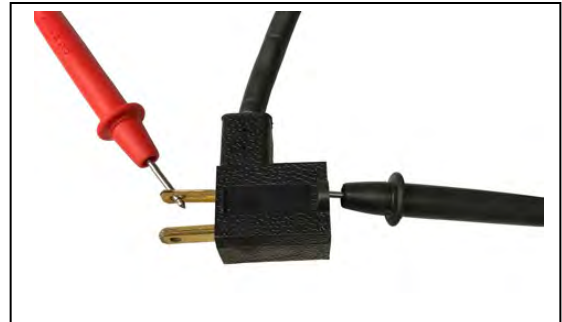
En raison de l'aspiration, le diaphragme de l'interrupteur est poussé vers l'intérieur, activant l'interrupteur dans son boîtier. Une fois la seringue libérée, le diaphragme revient à sa position initiale, désactivant l'interrupteur dans son boîtier.



1. Appuyez sur la poire de la seringue.
2. Insérez la petite extrémité dans le tube renflard du cordon d'alimentation.
3. Relâchez la poire pour provoquer l'aspiration/le vide.
4. Attendez que l'interrupteur émette un clic.
5. Une fois l'égalisation réalisée grâce à l'aspiration/au vide, attendez que l'interrupteur à diaphragme émette un bruit pour relâcher le dispositif.

Test de l'interrupteur à flotteur

Il est possible de tester un interrupteur à flotteur à l'aide d'un ohmmètre pour vérifier la continuité entre les connexions d'entrée et de sortie de la fiche gigogne tout en soulevant et en abaissant le flotteur.



Test de fonctionnement de pompe manuelle

⚠ ATTENTION

Risque de blessure corporelle ou de dommage à la pompe ou d'autres équipements.

- Il convient de faire fonctionner la pompe en mode manuel et continu seulement en cas d'urgence ou lorsqu'un volume d'eau important doit être pompé. La pompe doit être surveillée en permanence pendant son fonctionnement et débranchée du circuit électrique avant qu'elle ne tourne à sec.
- Si un interrupteur à flotteur auxiliaire ou tout autre dispositif de contrôle du niveau de liquide est installé, consulter les instructions du fabricant. Le non-respect des codes locaux et nationaux de l'électricité et de la plomberie, ainsi que des recommandations du fabricant, lors de l'installation de ces dispositifs de contrôle, pourrait causer un risque d'électrocution ou d'incendie, une mauvaise performance ou une défaillance de l'équipement.

Les modèles de pompes 6-CIM, 6-CIM-R, et 6-CBM fonctionnent manuellement.

Pour un fonctionnement automatique d'une pompe manuelle, un interrupteur à flotteur séparé ou un autre dispositif de contrôle du niveau de liquide doit être utilisé. Si un commutateur float ou un contrôle de niveau a été ajouté, se référer à « [Test de fonctionnement de pompe automatique](#) » page 37 pour tester l'opération.

1. Raccorder un tuyau d'évacuation à l'orifice de refoulement de la pompe.
2. Placer la pompe dans un bassin ou un réservoir d'essai.

3. Diriger l'extrémité opposée du tuyau de refoulement dans le bassin ou le réservoir d'essai de sorte que l'eau évacuée du tuyau pendant l'essai soit contenue dans le bassin ou le réservoir d'essai.
 - Fixez le tuyau pour éviter que la pression d'eau créée pendant le test ne provoque la sortie du tuyau du bassin ou du réservoir d'essai.
4. S'il y a une valve sur le tuyau de refoulement, s'assurer que la vanne est ouverte.
5. À l'aide d'une source d'eau séparée, remplissez le bassin ou le réservoir d'essai jusqu'à ce que la pompe soit complètement immergée.
 - Ne pas essayer de faire fonctionner la pompe sans eau, au risque de l'endommager définitivement.
 - Ne remplissez pas trop le bassin ou le réservoir d'essai.
6. Si la pompe est fournie avec une fiche de branchement sur le cordon d'alimentation, branchez le cordon d'alimentation de la pompe dans un disjoncteur différentiel de fuite à la terre (DDFT) avec une tension compatible avec celle de la pompe tel qu'indiqué sur la plaque signalétique de la pompe.
 - Si la pompe est câblée, mettez le disjoncteur sous tension pour le circuit électrique de la pompe.
7. Vérifiez que la pompe fonctionne comme prévu.
8. Si la pompe ne fonctionne pas comme prévu, débranchez-la et consultez [« Dépannage » page 41](#).
9. Si la pompe fonctionne comme prévu, débranchez-la avant d'essayer de la retirer du bassin ou du réservoir de test.

ENTRETIEN

⚠ AVERTISSEMENT



Risque de blessure grave ou de mort par électrocution, température élevée ou liquide sous pression.

- Débranchez toujours le cordon d'alimentation de la pompe et coupez l'alimentation électrique avant d'entretenir la pompe ou l'interrupteur.
- Laisser la pompe refroidir pendant au moins deux heures avant toute tentative d'entretien. Les pompes immergées contiennent de l'huile qui devient chaude et sous pression dans des conditions normales d'utilisation.

AVIS

Risque de dommages à la pompe ou d'autres équipements.

- Cette unité est lubrifiée en permanence. Aucun graissage n'est nécessaire. Ne pas ouvrir la partie scellée de l'unité ni retirer les vis du boîtier.
- Ne pas retirer le couvercle du boîtier du moteur.
- Ne pas retirer le rotor. Le retrait du couvercle du boîtier du moteur, du rotor ou des joints entraînera l'annulation de la garantie. La réparation du moteur ou du rotor nécessite l'utilisation d'outils spéciaux.

Service périodique

Inspectez et testez l'état et le fonctionnement du système de puisard tous les trois mois (plus fréquemment en cas d'utilisation intensive).

1. Inspectez les cordons d'alimentation et la prise électrique pour la présence de dommages ou de corrosion.

REMARQUE : Le cordon d'alimentation de ces unités ne peut pas être remplacé. En cas de dommages, l'unité au complet doit être remplacée.

2. Retirez tous les débris (gravier, sable, débris flottants, etc.) du bassin de puisard.

ENTRETIEN

Service périodique

3. Passez en revue les composants du système de pompe (bassin, pompe, interrupteur, etc.) afin de détecter la présence de toute accumulation (boues, sédiments, minéraux, etc.) susceptible de nuire au bon fonctionnement des composants. Si ces accumulations sont importantes, retirez-les ou remplacez les composants touchés.
4. Confirmez que les colliers de serrage de tous les raccords flexibles sont correctement fixés et bien serrés.
5. Testez le fonctionnement du système. Se référer à « [Test de fonctionnement](#) » page 37.
6. Pendant le fonctionnement de la pompe, assurez-vous que de l'eau s'échappe de l'orifice de prise d'air. Sinon, retirez tous les dépôts et débris qui se trouveraient dans l'orifice.

Nettoyage de l'impulseur et de la volute

Le nettoyage périodique des composants de la pompe prolongera la durée de vie et l'efficacité de la pompe.

1. Débranchez la pompe de la source d'alimentation. Retirez la pompe de la tuyauterie de refoulement.
2. Retirez les cinq boulons et les cinq rondelles qui fixent la base à la volute, puis séparez la base de la volute. Ne pas retirer le couvercle du boîtier du moteur.
3. Retirez la base et nettoyez le passage de volute et l'impulseur.

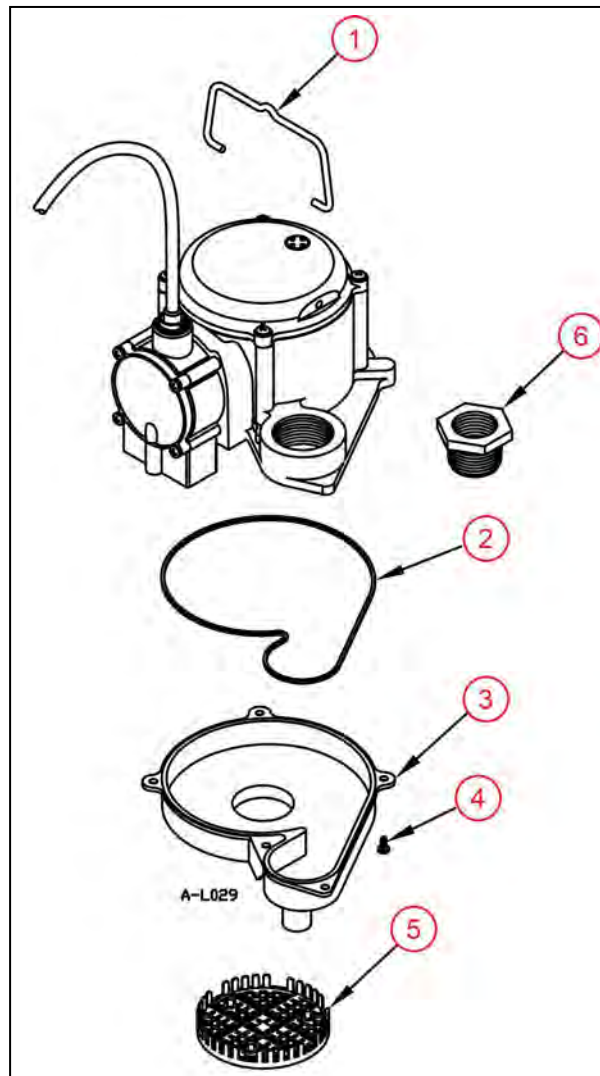
IMPORTANT: N'utilisez pas de solvants forts sur l'impulseur.

4. Assurez-vous que l'impulseur tourne librement après le nettoyage.
5. Fixez la base à la volute et assurez-vous que le joint est correctement aligné.

Dépannage

Problème	Causes probables	Mesure corrective
La pompe ne se met pas en marche	La pompe n'est pas branchée à l'alimentation électrique.	Branchez la pompe à un circuit dédié équipé d'un dispositif DDFT.
	Le disjoncteur est éteint ou le fusible a été retiré.	Mettez le disjoncteur sous tension ou remplacez le fusible.
	Pour les modèles équipés d'un interrupteur à dia-phragme : Le tube reniflard est plié, pincé ou bloqué.	Assurez-vous que le cordon d'alimentation n'est ni plié ni pincé, et vérifiez que l'ouverture à l'extrémité du tube n'est pas bloquée.
	Pour les modèles équipés d'un interrupteur à flotteur attaché : Accumulation de déchets ou colmatage du flotteur.	Flotteur propre.
	Pour les modèles équipés d'un interrupteur à flotteur attaché : Obstruction du flotteur.	Vérifiez l'itinéraire du flotteur et dégagez-le.
	Interrupteur défectueux.	Remplacez l'interrupteur.
	Moteur défectueux.	Remplacez la pompe.
La pompe ne s'éteint pas	Obstruction du flotteur.	Vérifiez l'itinéraire du flotteur et dégagez-le.
	La pompe est bloquée en raison d'un orifice de mise à l'air libre manquant ou bouché.	Si l'orifice est manquant, percez un orifice de mise à l'air libre comme indiqué dans « Installation physique » page 34. Si l'orifice est bouché, retirez l'obstruction de l'orifice de mise à l'air libre.
	L'afflux de liquide est adapté aux capacités de la pompe.	Une pompe de plus grande taille est nécessaire.
	Pour les modèles équipés d'un interrupteur à dia-phragme : Le tube reniflard est plié, pincé ou bloqué.	Assurez-vous que le cordon d'alimentation n'est ni plié ni pincé, et vérifiez que l'ouverture à l'extrémité du tube n'est pas bloquée.
	Interrupteur défectueux.	Remplacez l'interrupteur.
La pompe fonctionne, mais elle ne refoule pas le liquide	Soupape antiretour installée à l'envers.	Flèche indiquant la soupape antiretour sur le corps de la soupape antiretour pour garantir la bonne installation.
	Soupape antiretour bloquée ou bouchée.	Retirez la soupape antiretour et vérifiez qu'elle fonctionne correctement.
	La pompe est soulevée trop haut.	Vérifiez le rendement de la pompe nominale.
	L'entrée de la roue est bouchée.	Tirez la pompe et nettoyez.
	La pompe est bloquée en raison d'un orifice de mise à l'air libre manquant ou bouché.	Si l'orifice est manquant, percez un orifice de mise à l'air libre comme indiqué dans INSTALLATION. Si l'orifice est bouché, retirez l'obstruction de l'orifice de mise à l'air libre.
La pompe n'atteint pas la puissance nominale	La pompe est soulevée trop haut.	Vérifiez le rendement de la pompe nominale.
	Tension faible, vitesse trop lente.	Vérifiez que la tension d'alimentation correspond au courant nominal indiqué sur la plaque signalétique.
	La roue ou le tuyau de refoulement est bouché(e).	Tirez la pompe et nettoyez. Vérifiez que le tuyau est exempt de tartre ou de corrosion.
	Usure de la roue due à des abrasifs.	Remplacez la pompe.
La pompe tourne en continu	Aucune soupape antiretour dans le tuyau de refoulement long permettant au liquide de s'égoutter dans le bassin.	Installez une soupape antiretour dans le tuyau de refoulement.
	Fuite de la soupape antiretour.	Assurez-vous que la soupape antiretour fonctionne correctement.
	Bassin trop petit pour l'afflux.	Installez un bassin plus grand.
L'eau jaillit d'un orifice à la base de l'unité.	Cette pompe est fournie avec un orifice d'admission qui permet à l'air emprisonné de s'échapper de la pompe, empêchant un blocage par l'air. Il est tout à fait normal que de l'eau jaillisse de cet orifice.	Aucune mesure corrective n'est nécessaire.

Pièces de rechange



Article	Description	Modèles de pompes	Modèle de kit	Référence
1	Poignée, pompe	Tous les modèles	N/A	108101
2	Joint d'étanchéité			928004
3	Base de pompe, admission d'air	6-CIA et 6-CBA		106079
	Base de pompe	6-CIM, 6-CIM-R, 6-CIA-RFS et 6-CBM		106181
4	Vis/Rondelle n° 10-24 x 13 mm (1/2 po) de série 6	Tous les modèles		909021
5	Tamis d'admission			108482
6	Adaptateur AD-6	6-CIM et 6-CIM-R		599026
N/A	Adaptateur pour tuyau d'arrosage GH-3/4			599025
N/A	Kit d'interrupteur (comprend le support du pressostat, la vis, le diaphragme, le joint torique et le boîtier s'il est marqué)	6-CIA et 6-CBA	SPRK-1*	599300
		6-CIA-ML (pour WRSC-6)	SPRK-1-ML*	599310
		6-CIA et 6-CBA	SPRK-2	599320
		6-CIA-ML (pour WRSC-6)	SPRK-2-ML	599314

* **REMARQUE** : Le kit d'interrupteur comprend un boîtier.

REMARQUES



Pour l'aide technique, entrez s'il vous plait en contact :

800.701.7894 | littlegiant.com

993865 Rév. 005 05/24

LittleGIANT[®]

Franklin Electric Co., Inc. | Oklahoma City, OK 73157-2010

Copyright © 2024, Franklin Electric, Co., Inc. Tous les droits réservés.